



## BESTWARE Hardware Production Co., Ltd.

Add: Block 8, No.6, Jianda Nan Road, Jiangmen, Guangdong, China

Website: [www.bestware-stainless.com](http://www.bestware-stainless.com)

Email: [business@bestware-stainless.com](mailto:business@bestware-stainless.com)    [after-sales@bestware-stainless.com](mailto:after-sales@bestware-stainless.com)

WhatsApp: +86 18929047065    Tel: +86 750 3108801

Wechat: +86 18929047065



Website



YouTube



WhatsApp



Wechat

2026 V1.0



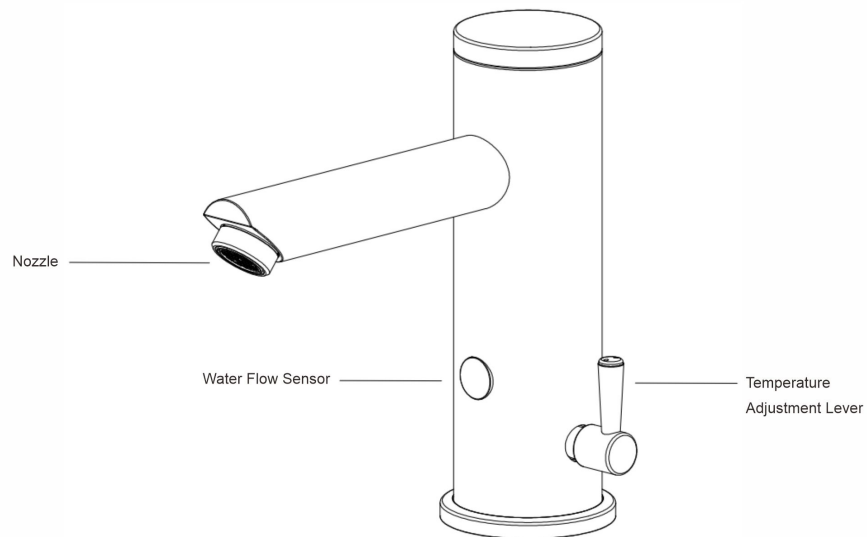
## Thermostatic Style Sensor Faucet User and Installation Manual



THMSTB/THMSTM

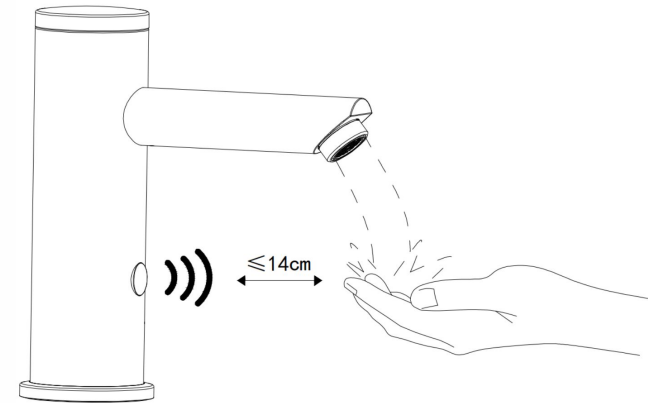
PREMIER SOLUTION PROVIDER OF ONE-STOP STAINLESS COMMERCIAL FAUCETS

## 1. Function Overview

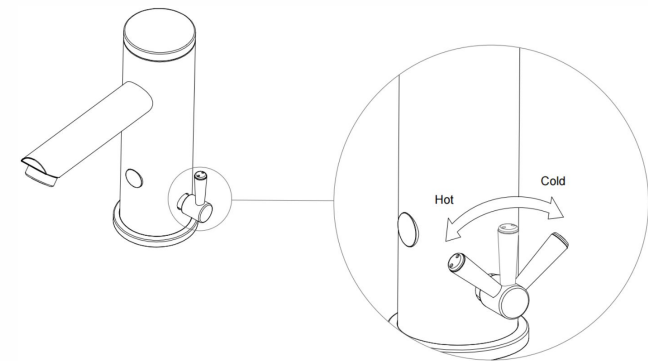


## 2. Operating Instructions

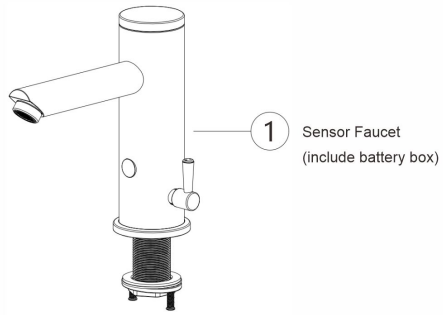
- 1 Place your hand in front of the sensor head ( $\leq 14\text{cm}$ ) to dispense water. Remove your hand and the water will stop after 1s; Continuous use for 60s stops water automatically. (Self-cleaning Function: automatic 5-second flush after 24 hours of inactivity)



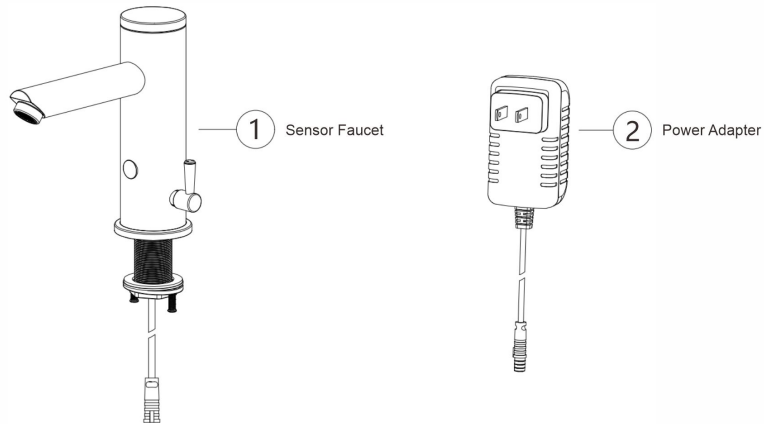
- 2 Adjust Water Temperature: Adjust the water temperature by moving the temperature adjustment lever. Move toward the red mark for hot water and toward the blue mark for cold water.



### 3.1.THMSTSB Product Structure (Battery Power Supply)



### 3.2.THMSTSM Product Structure (Main Power Supply)

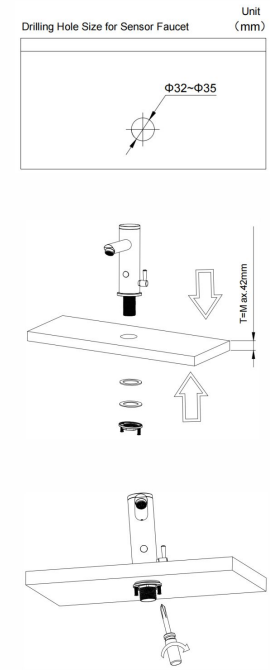


### 4.Tools Required

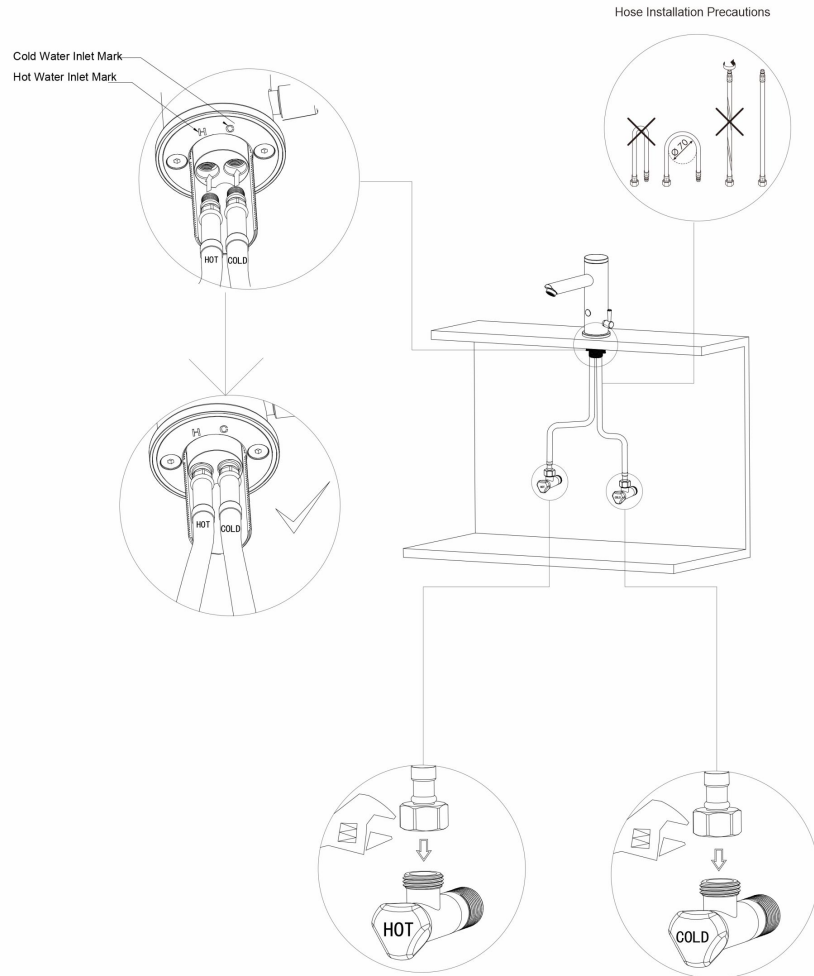


### 5.Installation Procedure

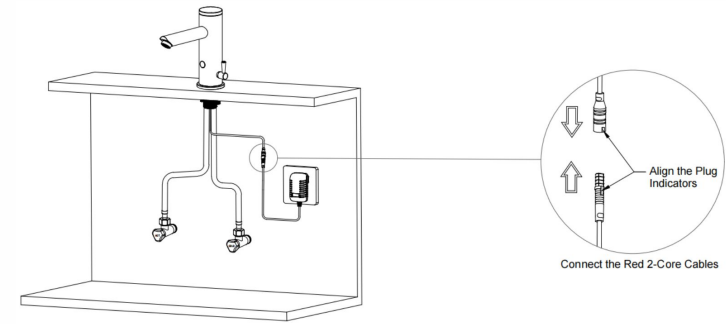
- 1 Sensor Faucet Installation: Drill the mounting hole and insert the sensor faucet into the hole. Use the phillips screwdriver to tighten the screw.



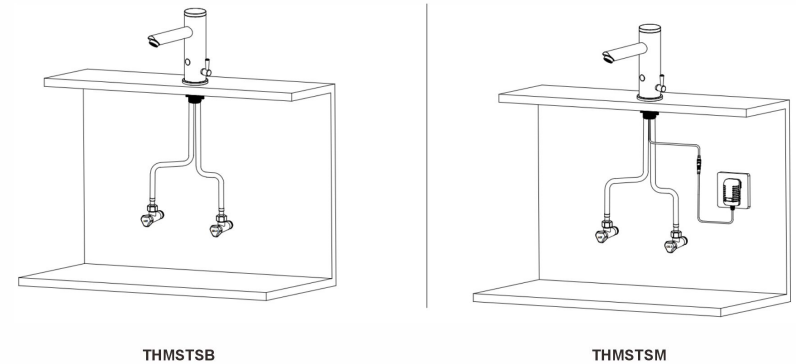
- 2 Hot and Cold Water Inlet Hose Installation: Connect the hot water hose to the left inlet and the cold water hose to the right inlet, then tighten with a wrench.



THMSTSM Power Supply Installation Reference: Connect the red 2-core cable of the faucet to the red 2-core cable of the power supply.



- 3 Tube Check: Open the angle valve, then check whether the tubing leaks and whether it functions properly.



### 6. Battery Panel: Replace Battery (for Model THMSTSB Only)

For long-term use, replace the battery to ensure normal operation

Operating Steps:

