



## BESTWARE Hardware Production Co., Ltd.

Add: Block 8, No.6, Jianda Nan Road, Jiangmen, Guangdong, China

Website: [www.bestware-stainless.com](http://www.bestware-stainless.com)

Email: [business@bestware-stainless.com](mailto:business@bestware-stainless.com)    [after-sales@bestware-stainless.com](mailto:after-sales@bestware-stainless.com)

WhatsApp: +86 18929047065    Tel: +86 750 3108801

Wechat: +86 18929047065



Website



YouTube



WhatsApp



Wechat

2026 V1.0



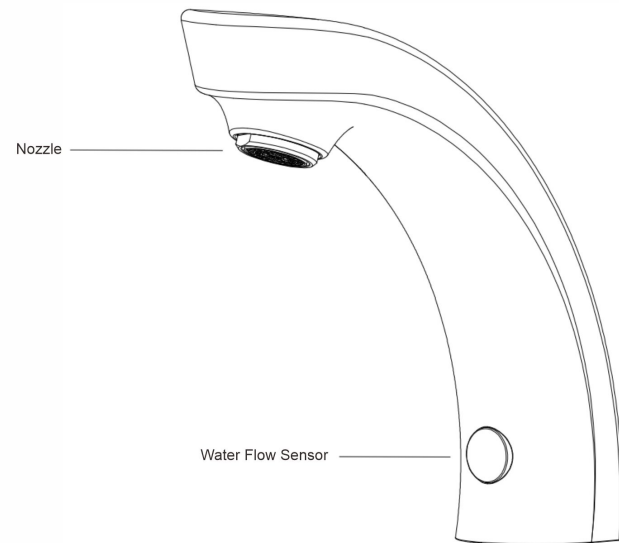
## Single Cold Style Sensor Faucet User and Installation Manual



HMSTB/HMSTM

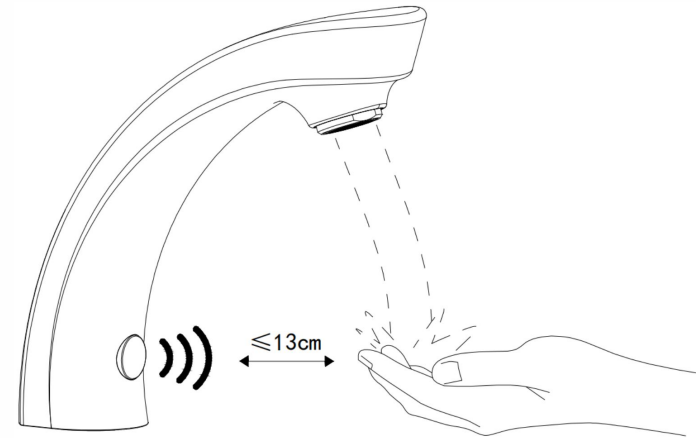
PREMIER SOLUTION PROVIDER OF ONE-STOP STAINLESS COMMERCIAL FAUCETS

## 1. Function Overview

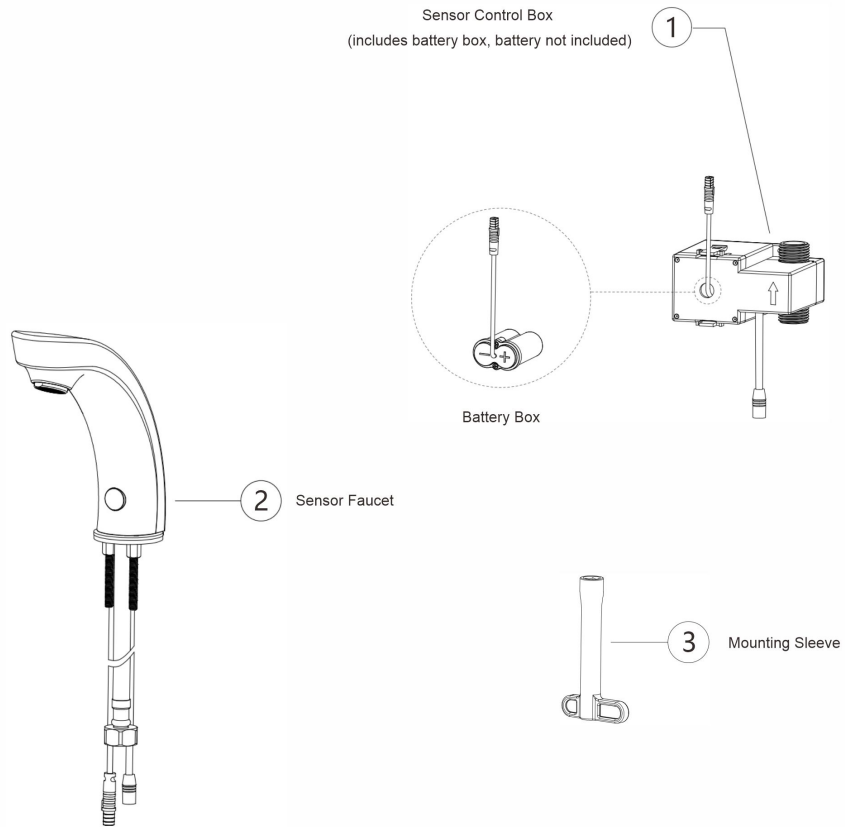


## 2. Operating Instructions

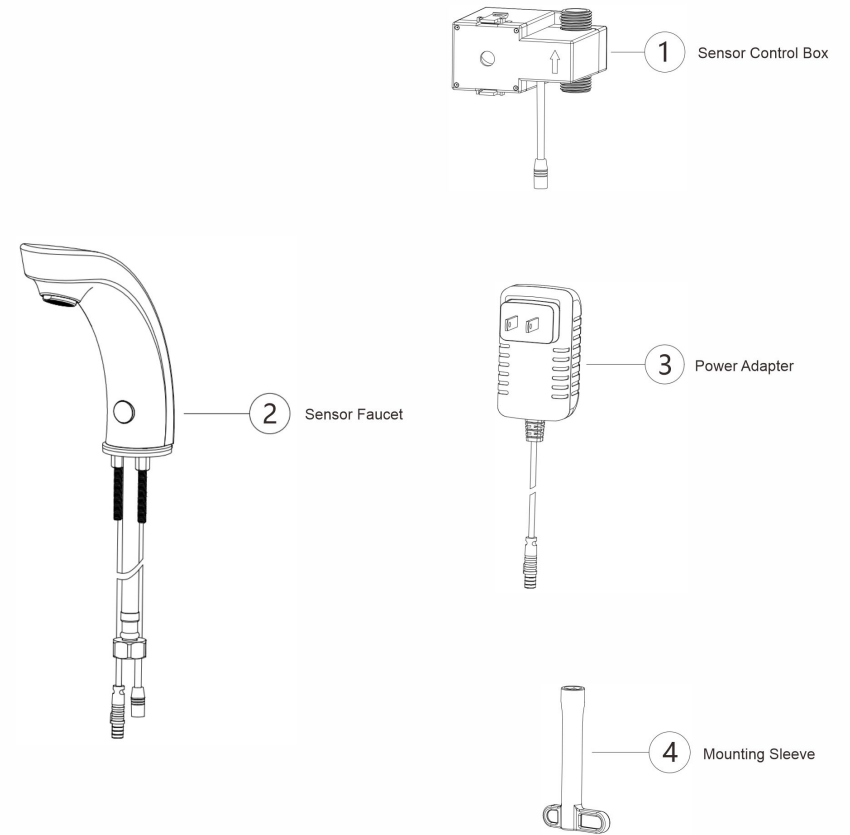
Place your hand in front of the sensor head ( $\leq 13\text{cm}$ ) to dispense water. Remove your hand and the water will stop after 1s; Continuous use for 60s stops water automatically. (Self-cleaning Function: automatic 5-second flush after 24 hours of inactivity)



### 3.1.HMSTB Product Structure (Battery Power Supply)



### 3.2.HMSTM Product Structure (Main Power Supply)



#### 4. Tools Required



Phillips  
Screwdriver



Hammer



Adjustable  
Wrench



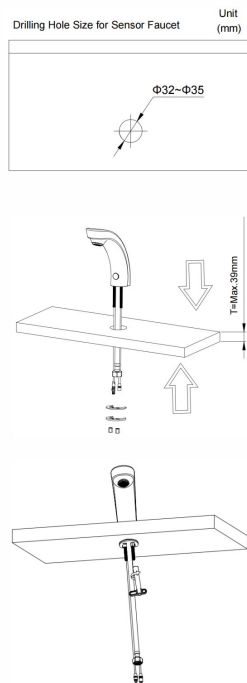
Hammer  
Drill



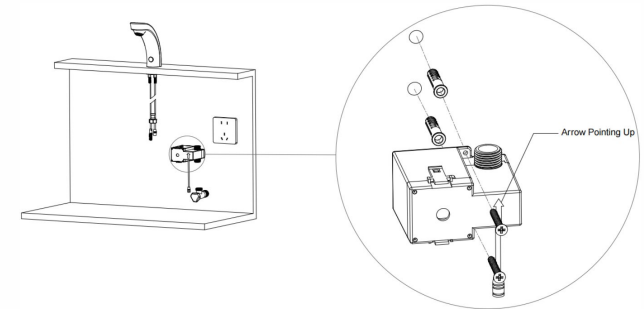
Measuring  
Tape

#### 5. Installation Procedure

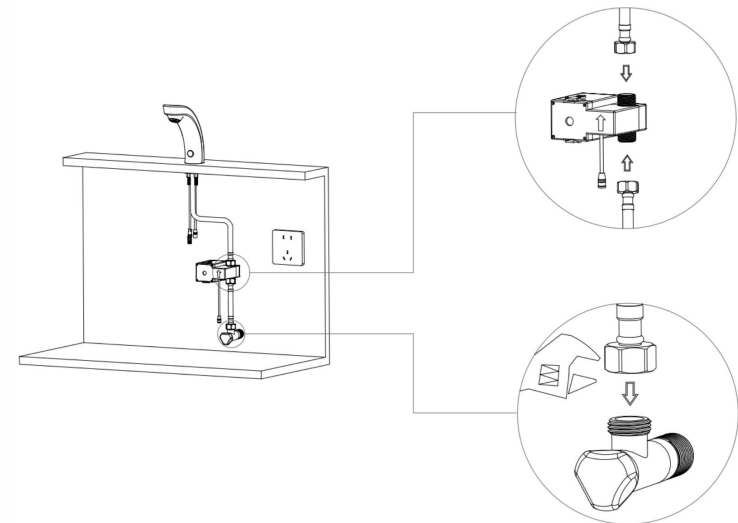
- 1 Sensor Faucet Installation: Drill the mounting hole and insert the sensor faucet into the hole. Use the mounting sleeve to tighten the phillips screw.



- 2 Secure the Sensor Control Box.

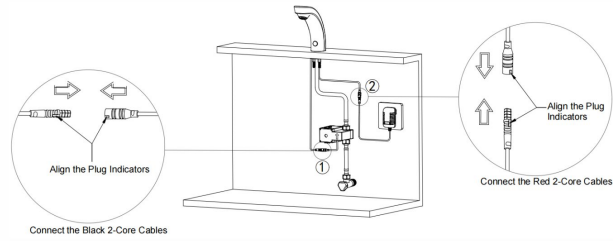


- 3 Water Inlet Tube Installation: Install the water inlet tube and tighten it with a wrench.

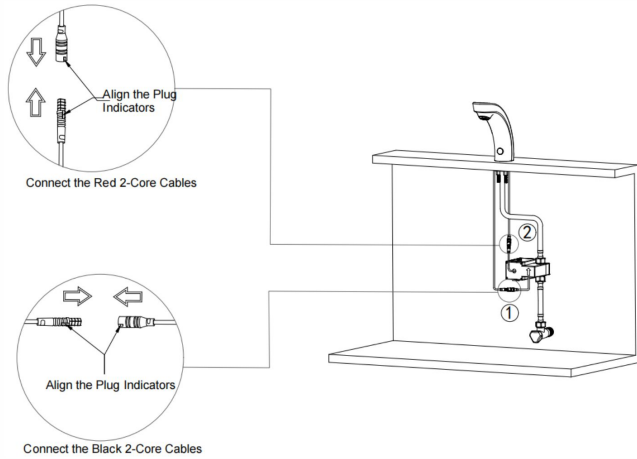


- ④ Connect the Communication Cable and Power (for Main Power Supply, Refer to Model HMSTM; for Battery Power Supply, Refer to Model HMSTB)

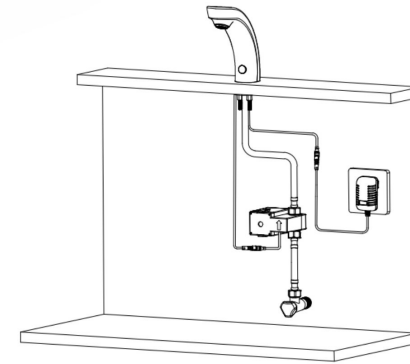
**HMSTM** : ① Connect the black 2-core cable of the faucet to the black 2-core cable of the sensor control box, ② Connect the red 2-core cable of the faucet to the red 2-core cable of the power supply.



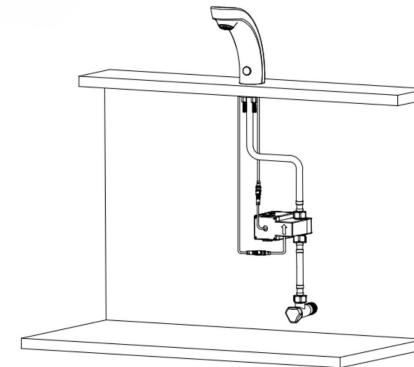
**HMSTB** : ① Connect the black 2-core cable of the faucet to the black 2-core cable of the sensor control box, ② Connect the red 2-core cable of the faucet to the red 2-core cable of the sensor control battery box.



- ⑤ Tube Check: Open the angle valve, then check whether the tubing leaks and whether it functions properly.



HMSTM



HMSTB

### 6. Battery Panel: Replace Battery (for Model HMSTB Only)

For long-term use, replace the battery to ensure normal operation

Operating Steps:

