



## BESTWARE Hardware Production Co., Ltd.

Add: Block 8, No.6, Jianda Nan Road, Jiangmen, Guangdong, China

Website: [www.bestware-stainless.com](http://www.bestware-stainless.com)

Email: [business@bestware-stainless.com](mailto:business@bestware-stainless.com)    [after-sales@bestware-stainless.com](mailto:after-sales@bestware-stainless.com)

WhatsApp: +86 18929047065    Tel: +86 750 3108801

Wechat: +86 18929047065



Website



YouTube



WhatsApp



Wechat

2025 V1.0



## Economy Standard Style Pre Rinse Faucet (without Add-on Swing Nozzle)

### User and Installation Manual



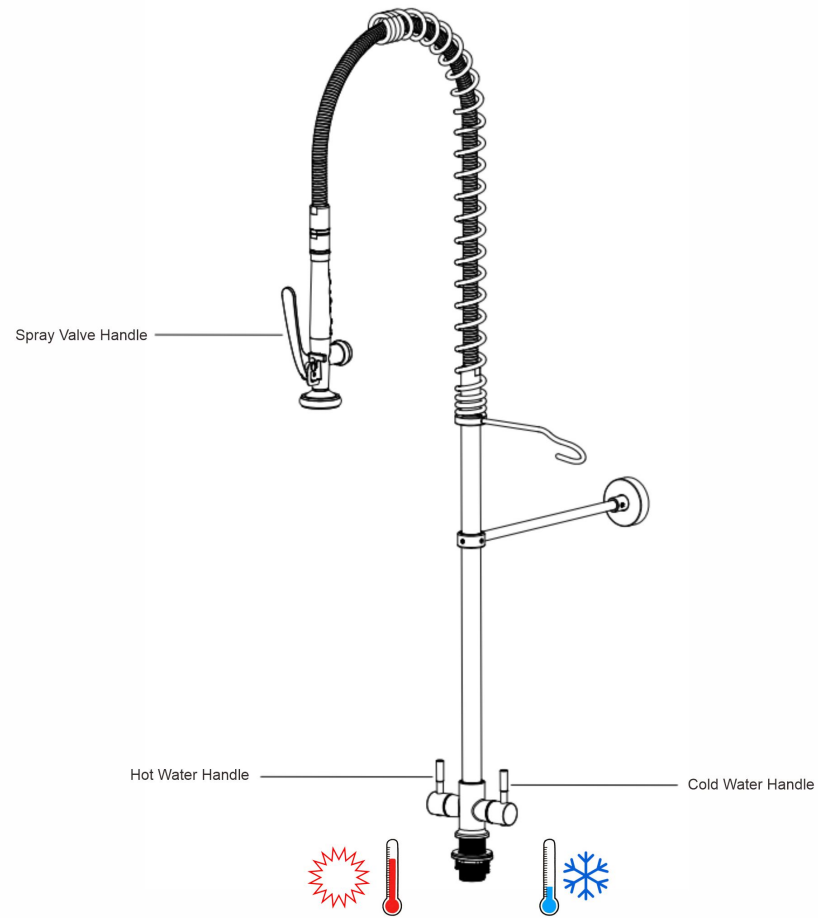
ECD100

ECH100

ECW100

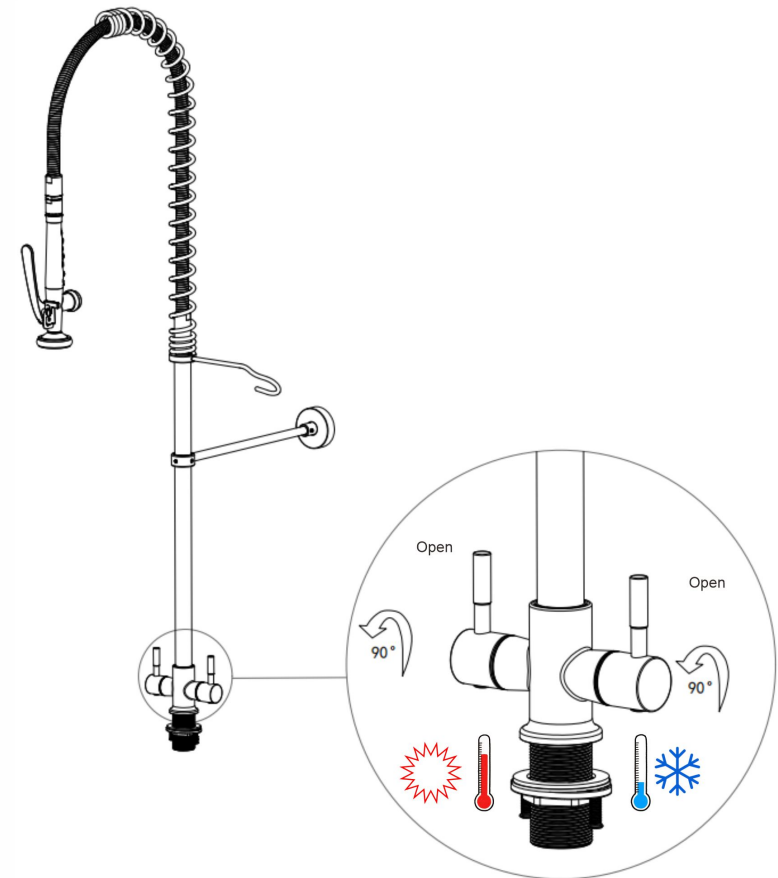
PREMIER SOLUTION PROVIDER OF ONE-STOP STAINLESS COMMERCIAL FAUCETS

### 1. Function Overview

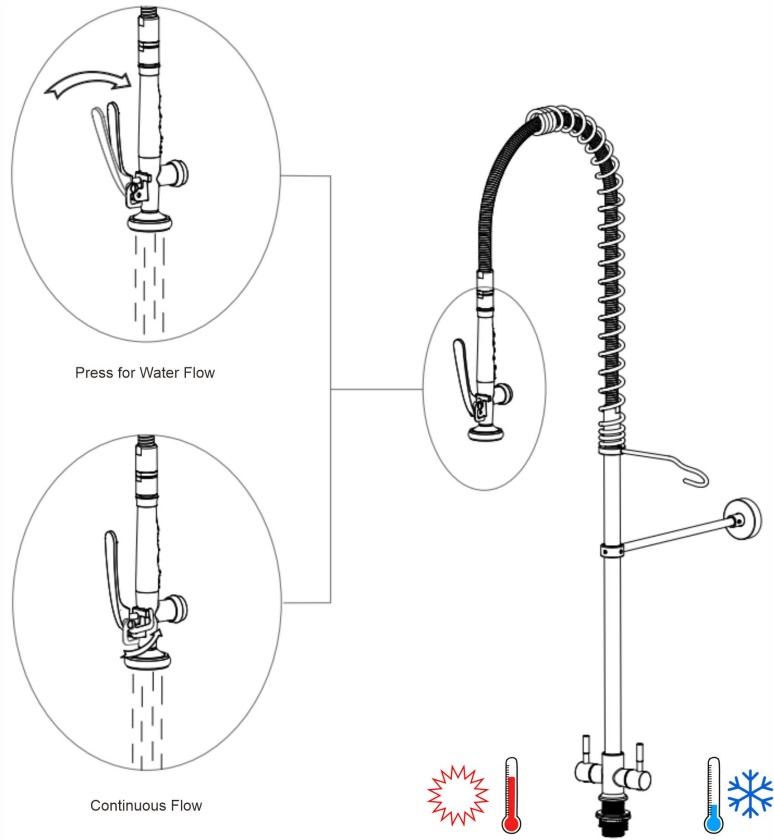


### 2. Operating Instructions

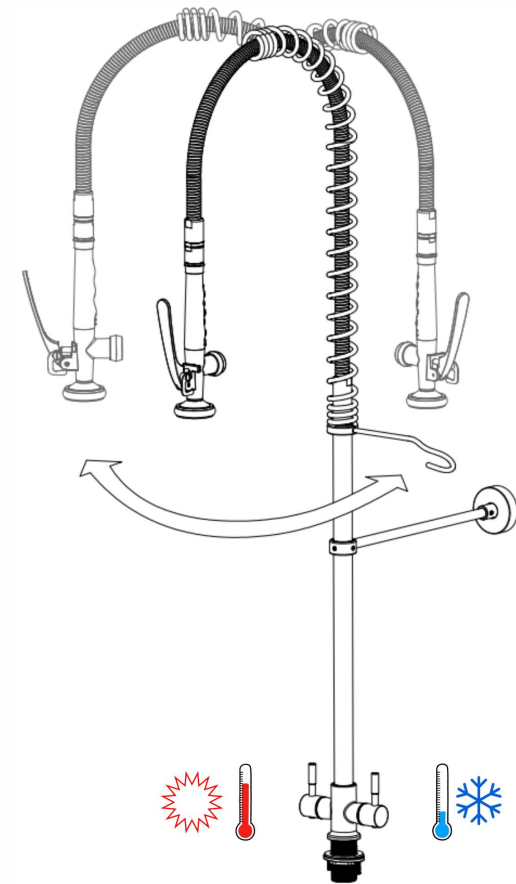
- 1 Open the hot and cold handles on the body to adjust the water flow and control the temperature.



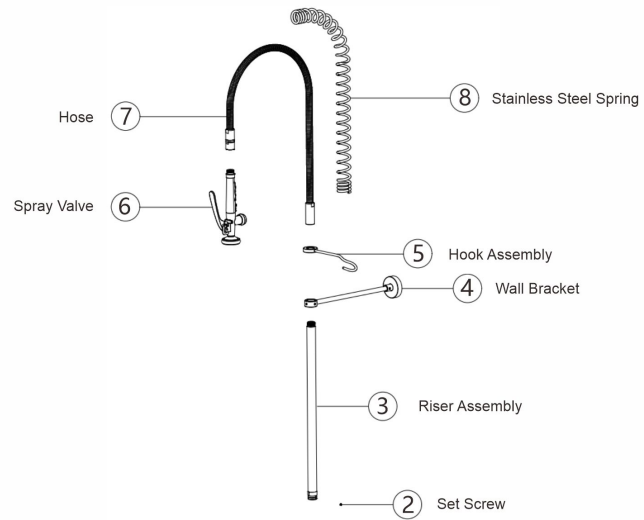
- 2 Use the Spray Valve for Rinsing: Press the handle for water flow. Lock the handle with the hold down ring for continuous flow.



- 3 Move the spray valve left or right to control the swing range.



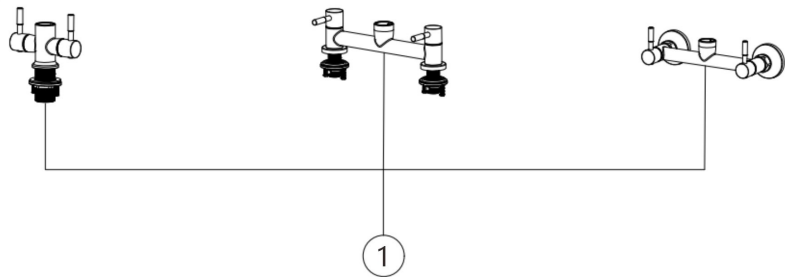
### 3.Product Structure



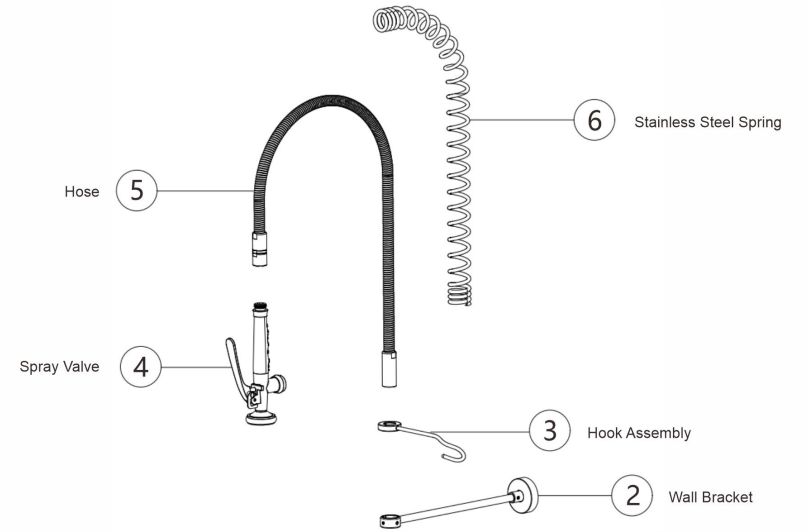
Single Hole Deck Mount  
Hot and Cold Body

Dual Holes Deck Mount  
Hot and Cold Body

Dual Holes Wall Mount  
Hot and Cold Body



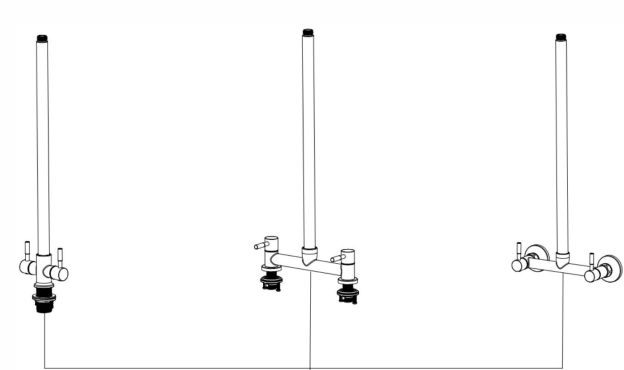
### 4.Assembly Components



Single Hole Deck Mount  
Hot and Cold Body Assembly

1 Dual Holes Deck Mount  
Hot and Cold Body Assembly

Dual Holes Wall Mount  
Hot and Cold Body Assembly



### 5. Tools Required



Phillips  
Screwdriver



Hex  
Key



Hammer



Adjustable  
Wrench



Hammer  
Drill



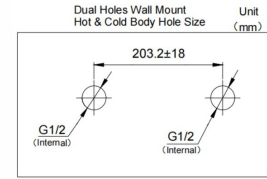
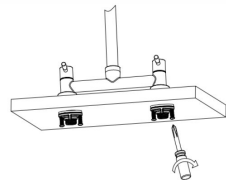
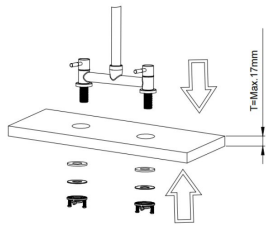
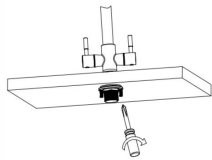
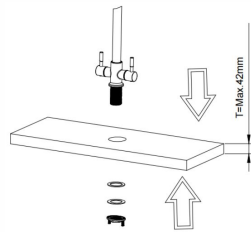
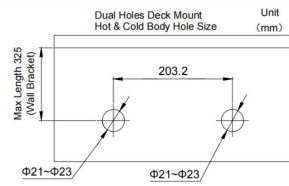
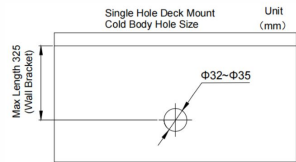
Angle  
Grinder



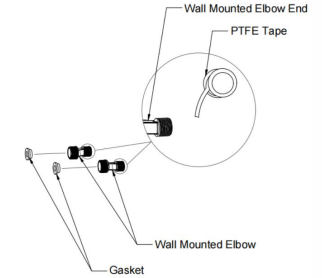
Measuring  
Tape

### 6. Installation Procedure

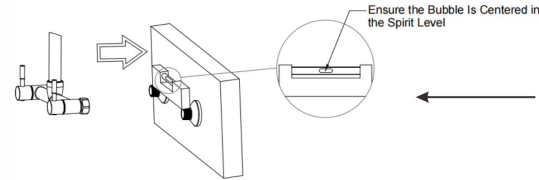
- Secure the Body: Drill the mounting hole(s) according to the size of the body. Place the body into the hole, install the under-counter nut, and tighten the cross screw.



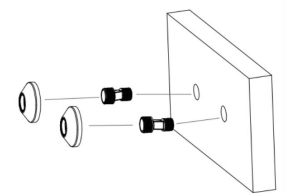
Install a Gasket on the Front End of the Wall Mounted Elbow, and Wrap the End with PTFE Tape



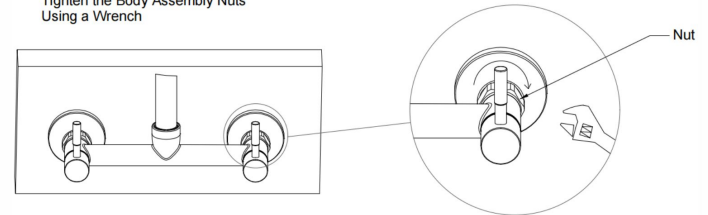
Mount the Wall Mount Body Assembly onto the Wall Mounted Elbow, Ensuring It Is Level Using a Spirit Level



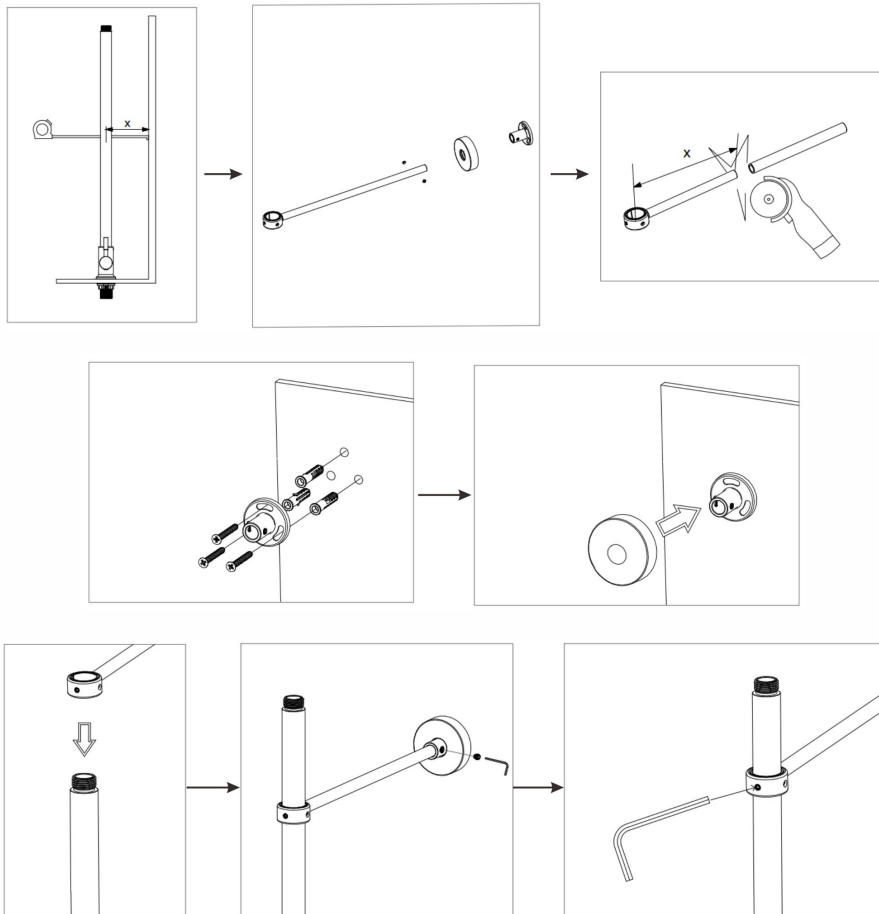
Mount the Wall Mounted Elbow onto the Wall



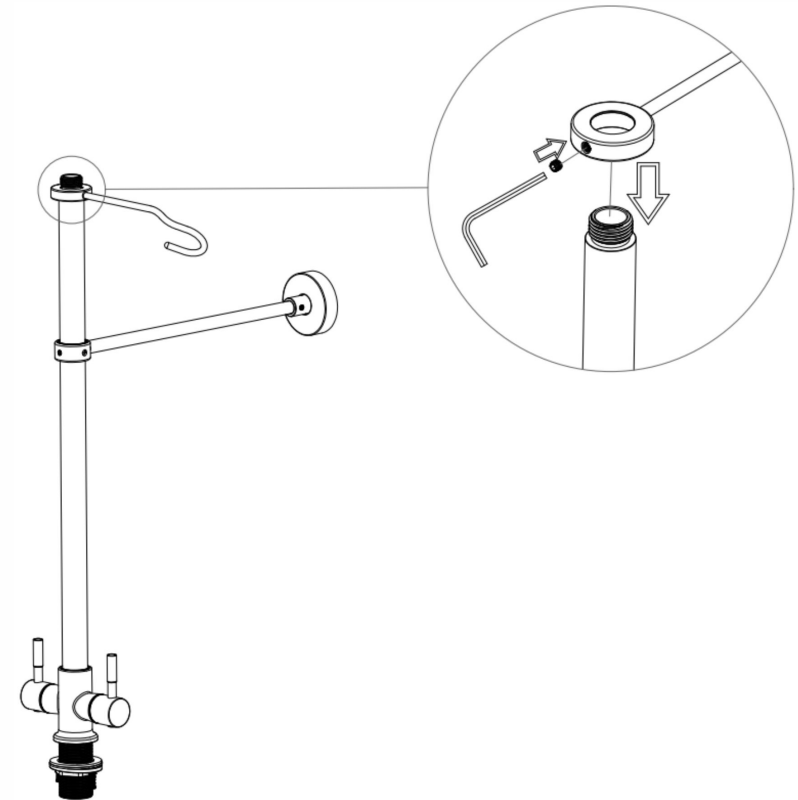
Tighten the Body Assembly Nuts Using a Wrench



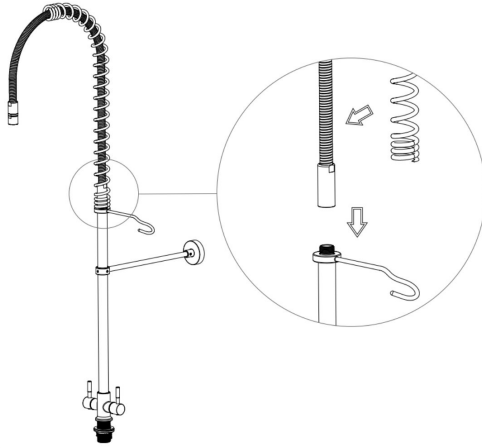
- 2 Wall Bracket Installation: Measure the required distance from the center of the riser to the wall. Cut the wall bracket rod to the appropriate length, install the base and secure the in-wall screws, then insert the wall bracket rod into the base and tighten the screws.



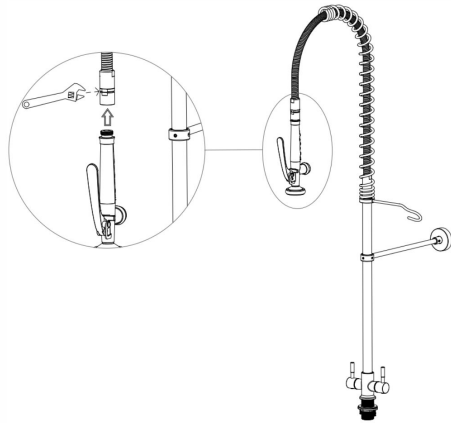
- 3 Hook Installation: Adjust the hook to the proper angle and tighten the screws.



- 4 Install the Hose and Stainless Steel Spring.



- 5 Spray Valve Installation: Connect the spray valve to the hose, hold the rotating head with a wrench, and then tighten.



- 6 Connect the Hot and Cold Inlet Tubes: Connect the hot water tube to the left and the cold water tube to the right, then tighten with a wrench. Open the angle valves and turn on the hot and cold handles to check for any leaks in the tubing. Press the spray valve to run water and switch between spray modes to ensure proper functionality.

