



BESTWARE Hardware Production Co., Ltd.

Add: Block 8, No.6, Jianda Nan Road, Jiangmen, Guangdong, China

Website: www.bestware-stainless.com

Email: business@bestware-stainless.com after-sales@bestware-stainless.com

WhatsApp: +86 18929047065 Tel: +86 750 3108801

Wechat: +86 18929047065



Website



YouTube



WhatsApp



Wechat

2026 V1.0



Affordable Luxury Style Pre Rinse Faucet (with Add-on Swing Nozzle)

User and Installation Manual



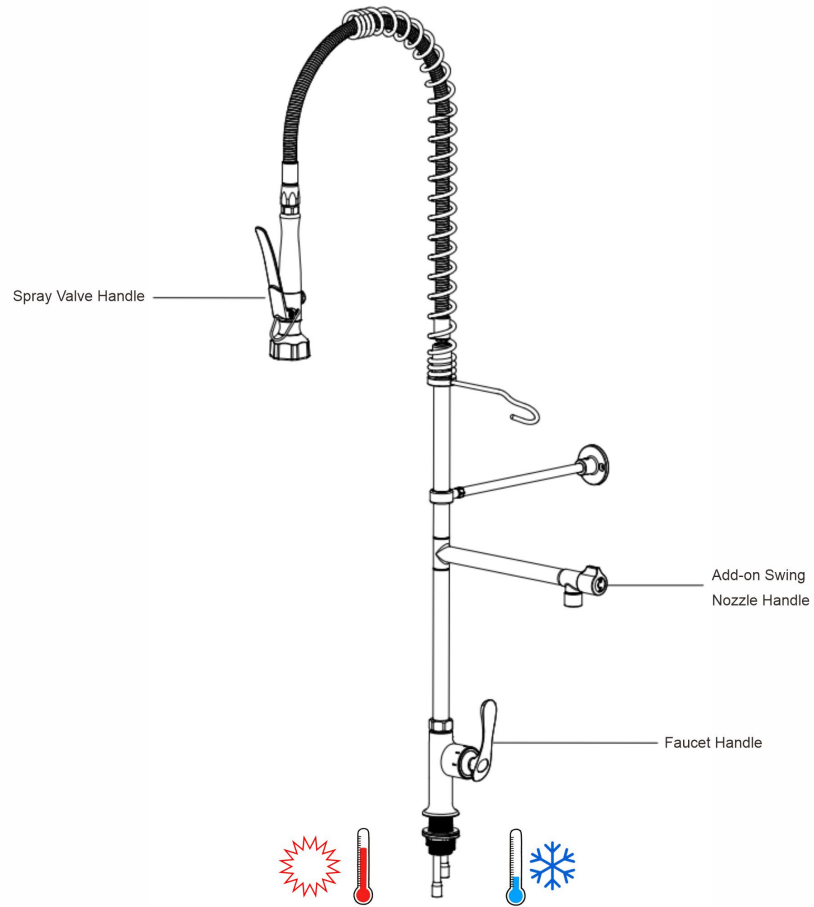
BD110

BH110

BW110

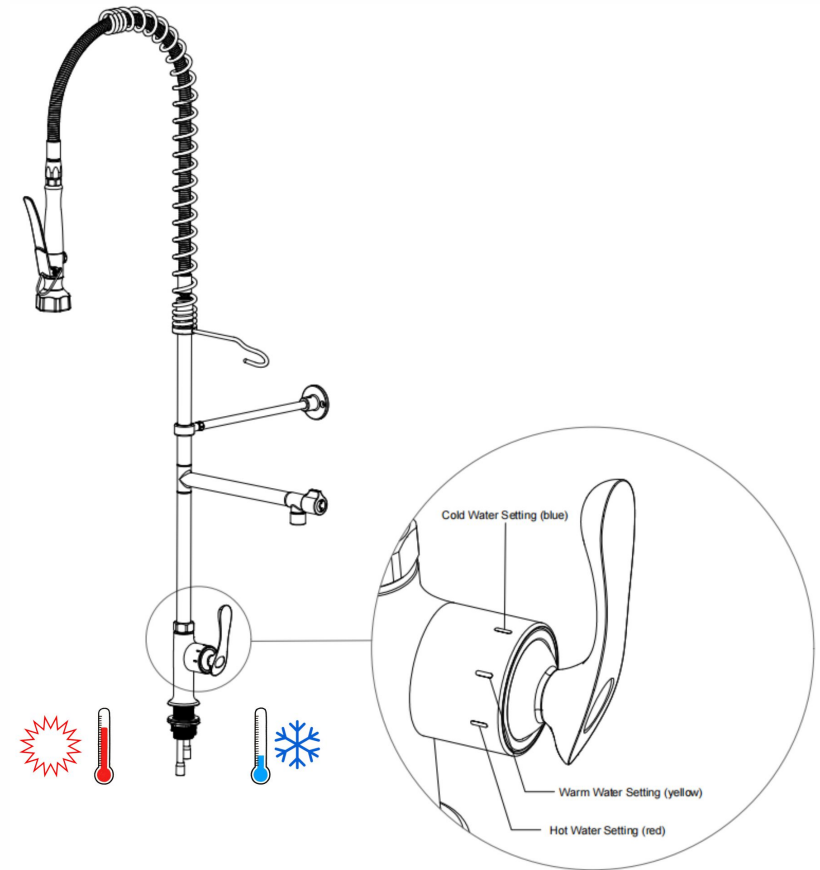
PREMIER SOLUTION PROVIDER OF ONE-STOP STAINLESS COMMERCIAL FAUCETS

1. Function Overview

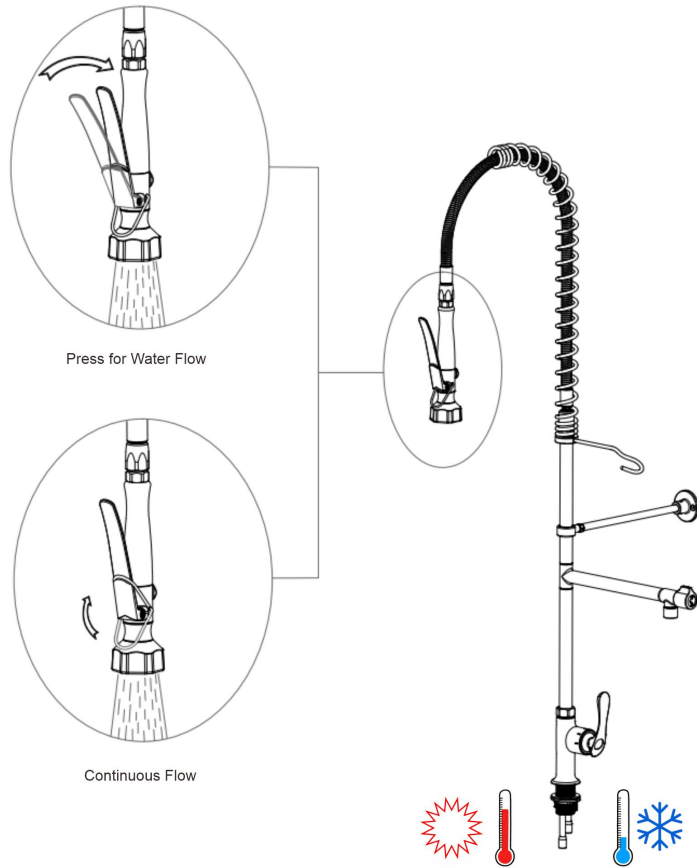


2. Operating Instructions

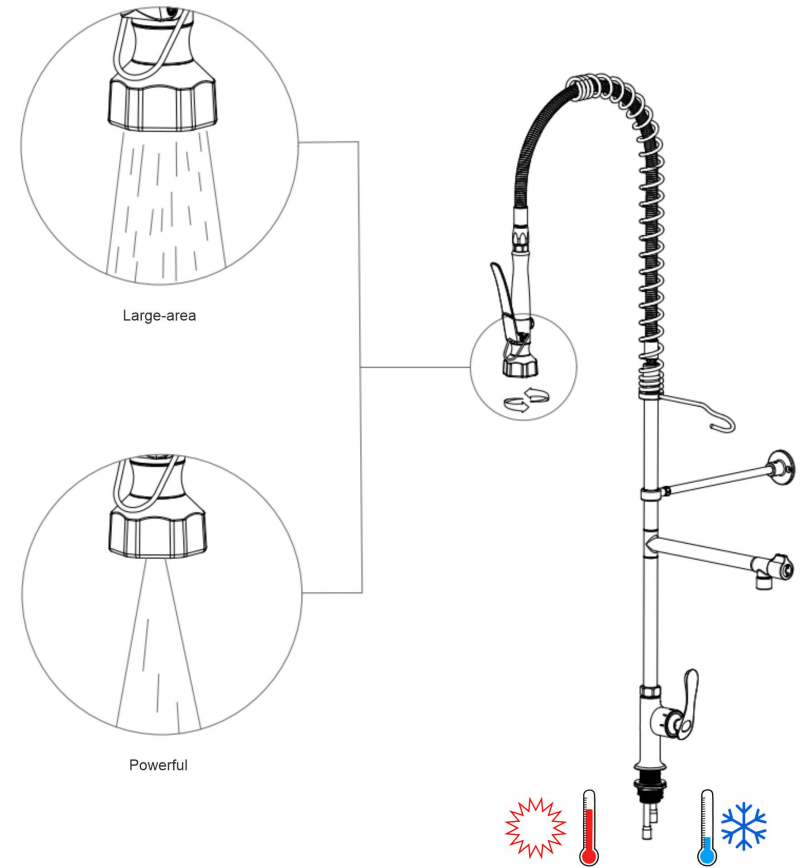
- 1 Turn on the water control on the main unit. Adjust the handle position and setting to control the flow rate and water temperature.



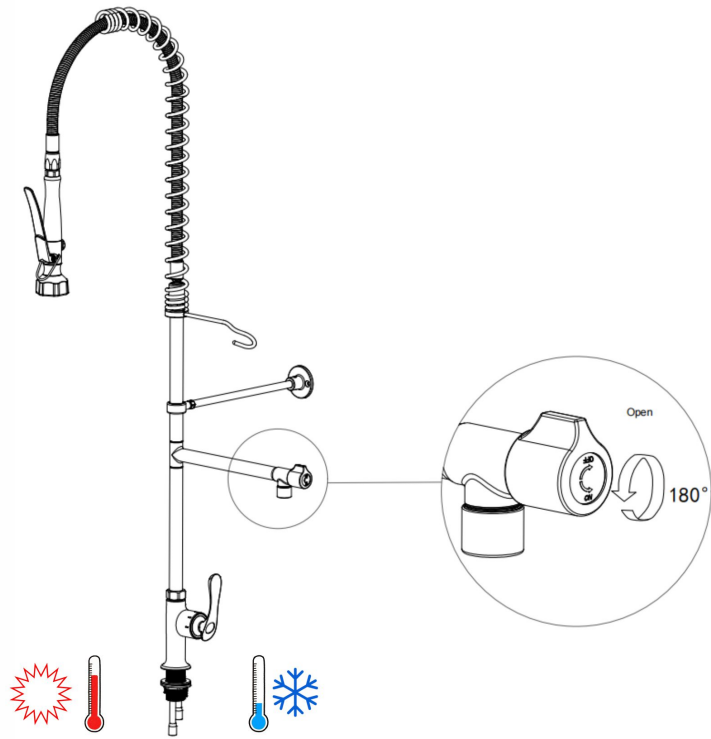
- 2 Use the Spray Valve for Rinsing: Press the handle for water flow. Lock the handle with the hold down ring for continuous flow.



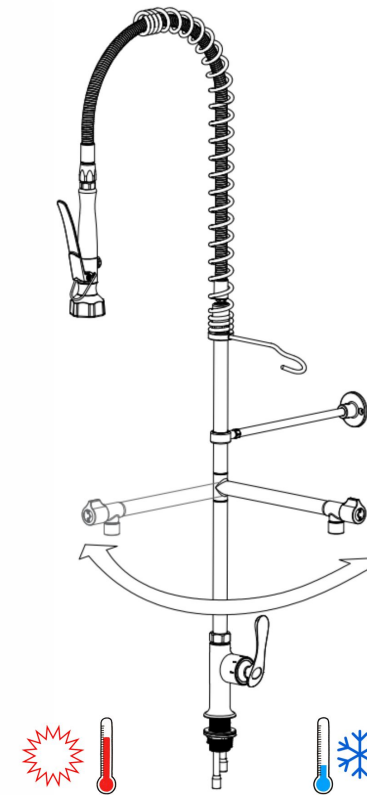
- 3 Switch Flow Modes: Rotate the spray valve head to change the flow mode.



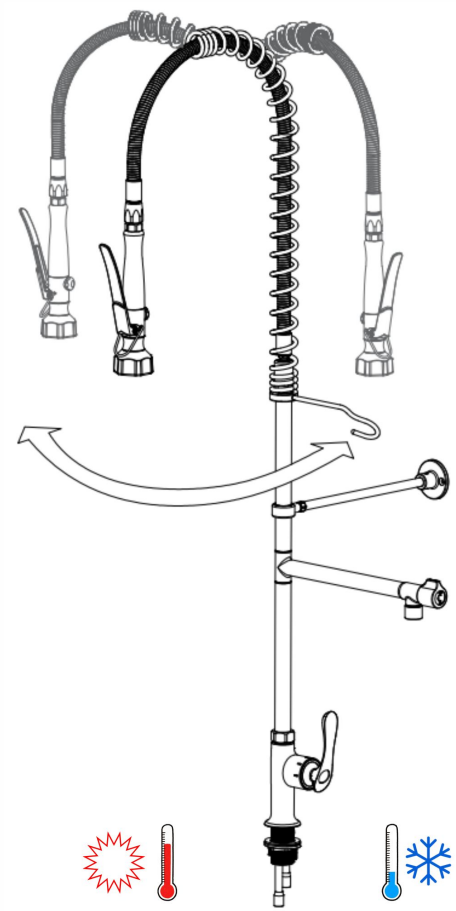
- 4 The add-on swing nozzle handle allows you to adjust the water flow of the swing nozzle.



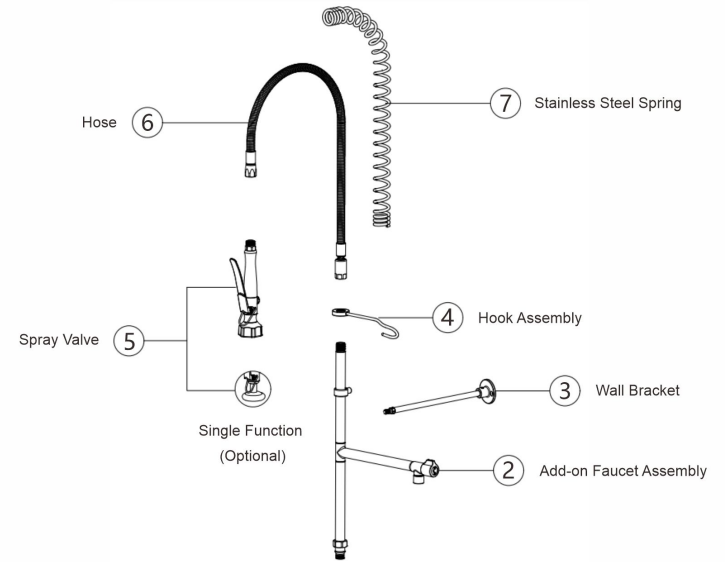
- 5 Move the add-on swing nozzle to adjust the water coverage range.



- 6 Move the spray valve left or right to control the swing range.



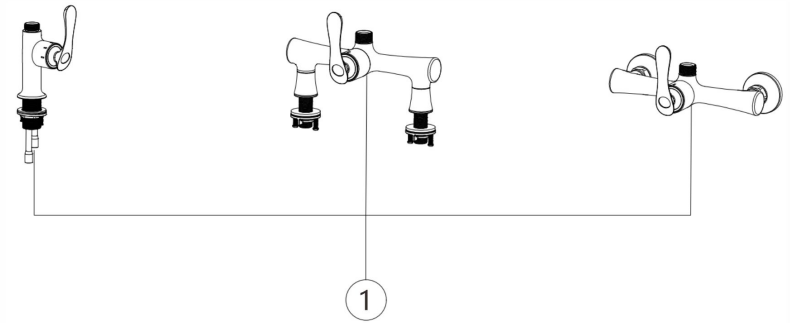
3.Product Structure



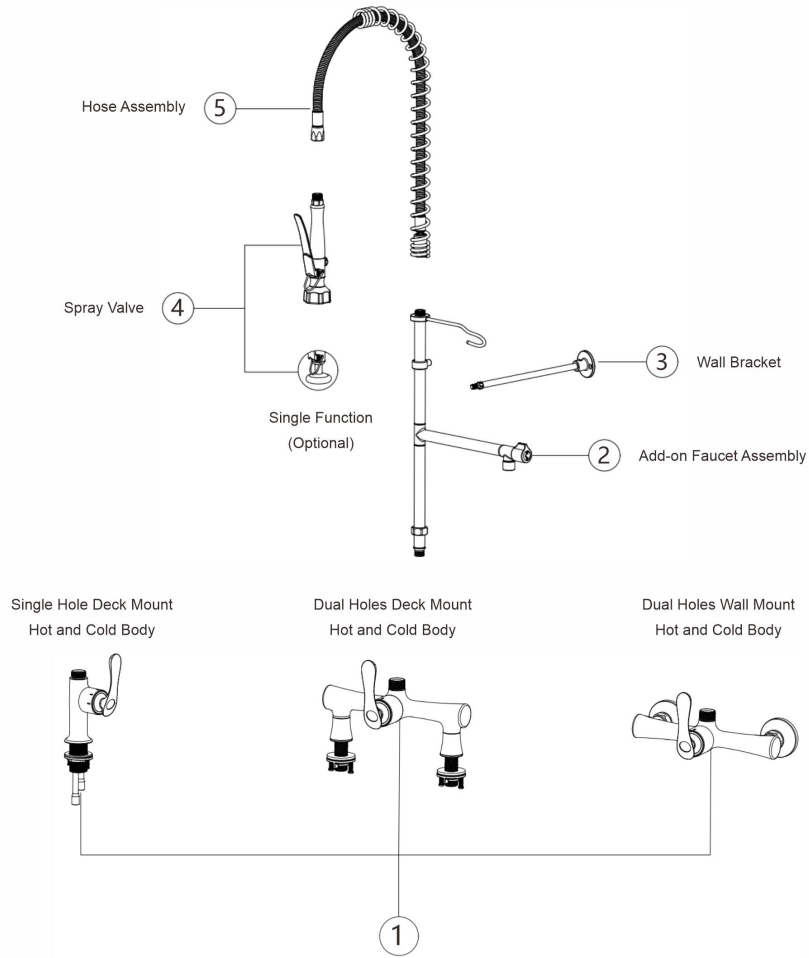
Single Hole Deck Mount
Hot and Cold Body

Dual Holes Deck Mount
Hot and Cold Body

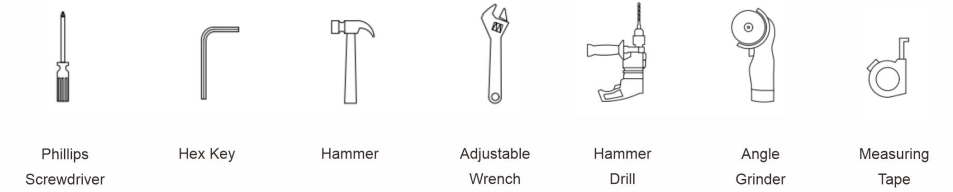
Dual Holes Wall Mount
Hot and Cold Body



4.Assembly Components

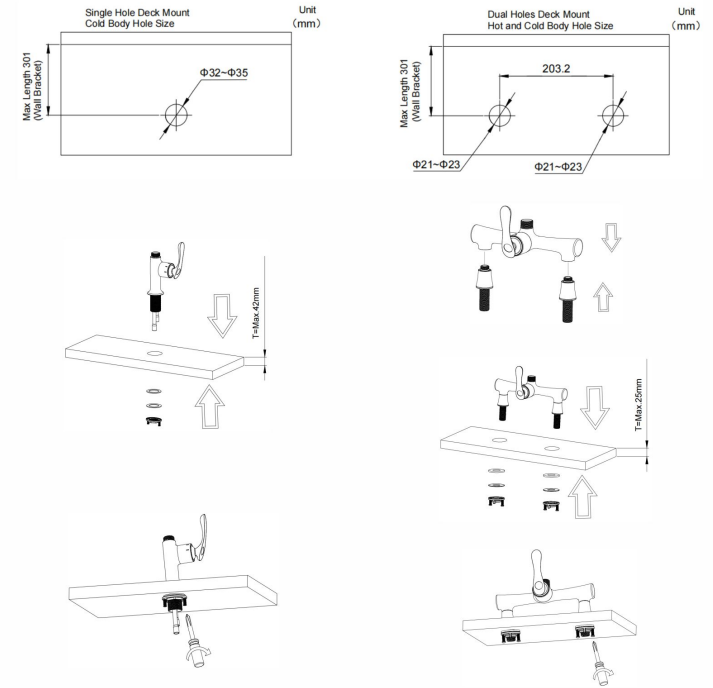


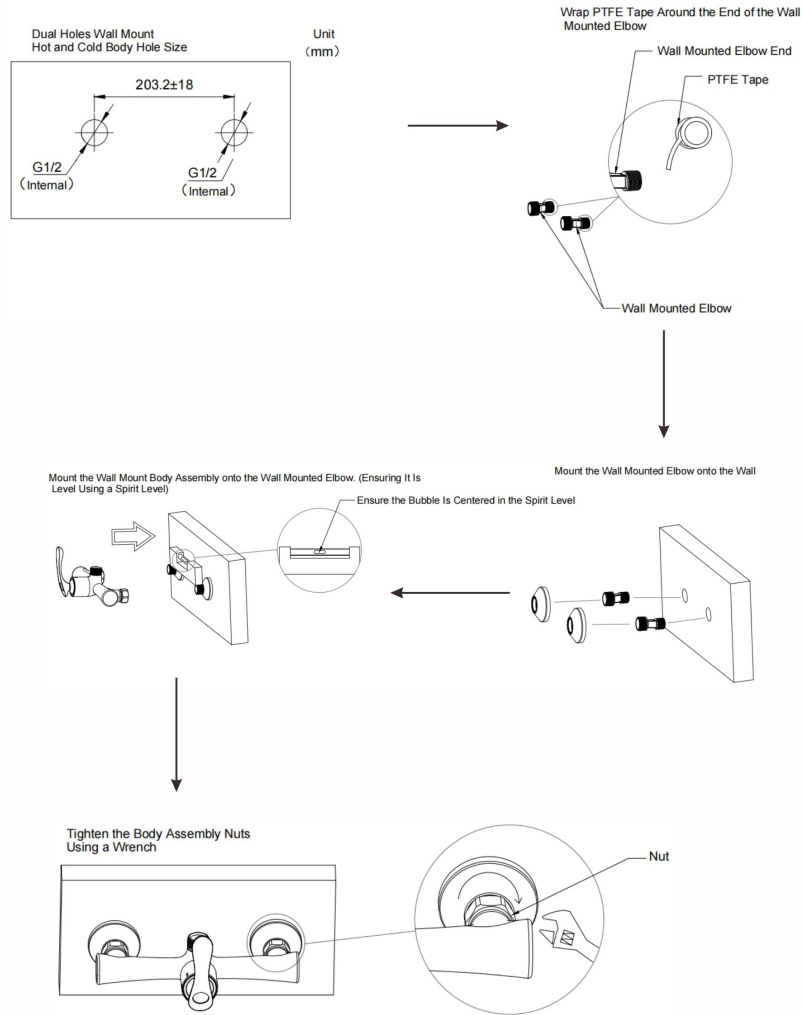
5.Tools Required



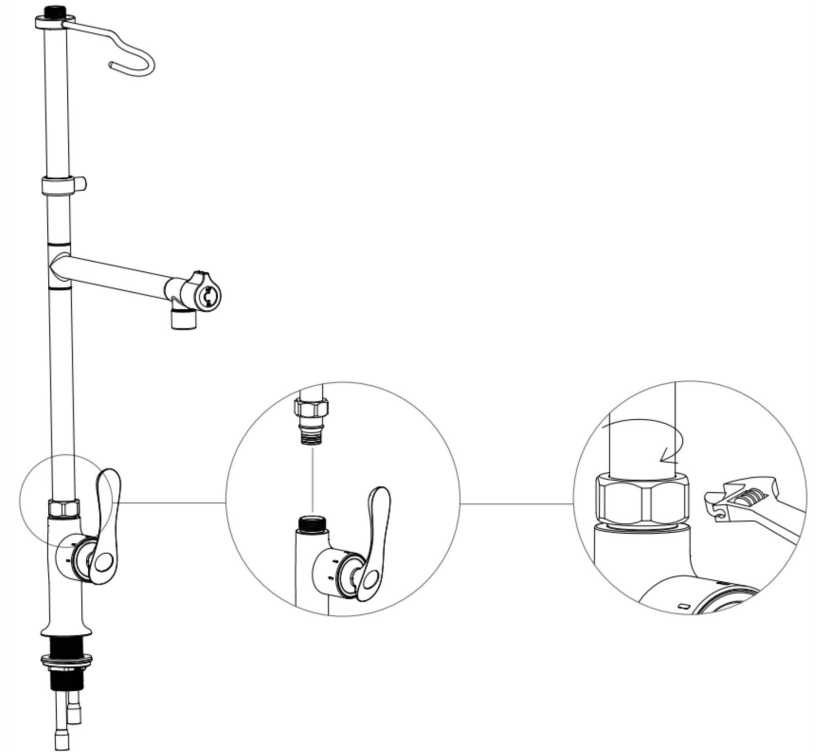
6.Installation Procedure

1. Faucet Body Installation: Drill the mounting hole according to the dimensions of the body assembly. Place the body assembly into the hole, install the under-counter nut, and tighten the cross screw.

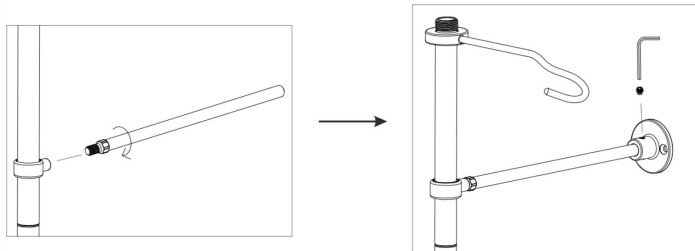
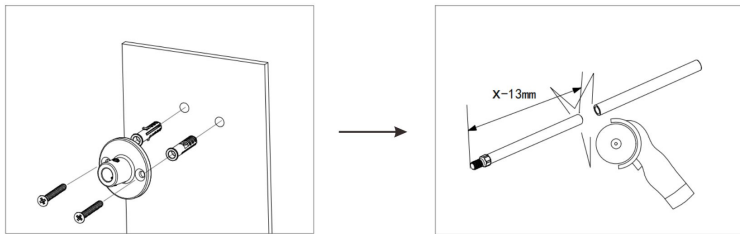
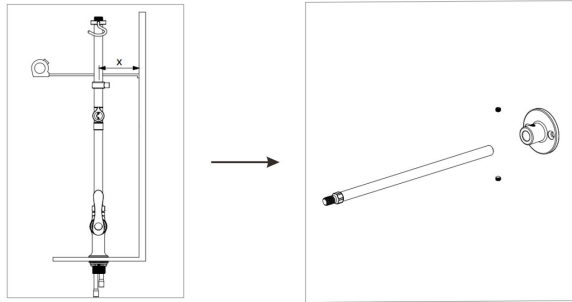




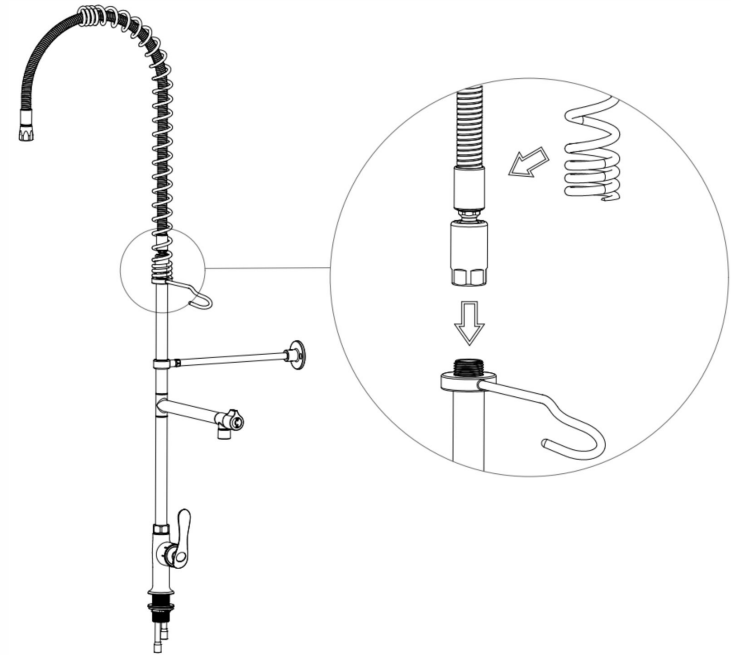
- Install Add-on Faucet Assembly: Insert the add-on faucet assembly into the body and tighten the nut with a wrench.



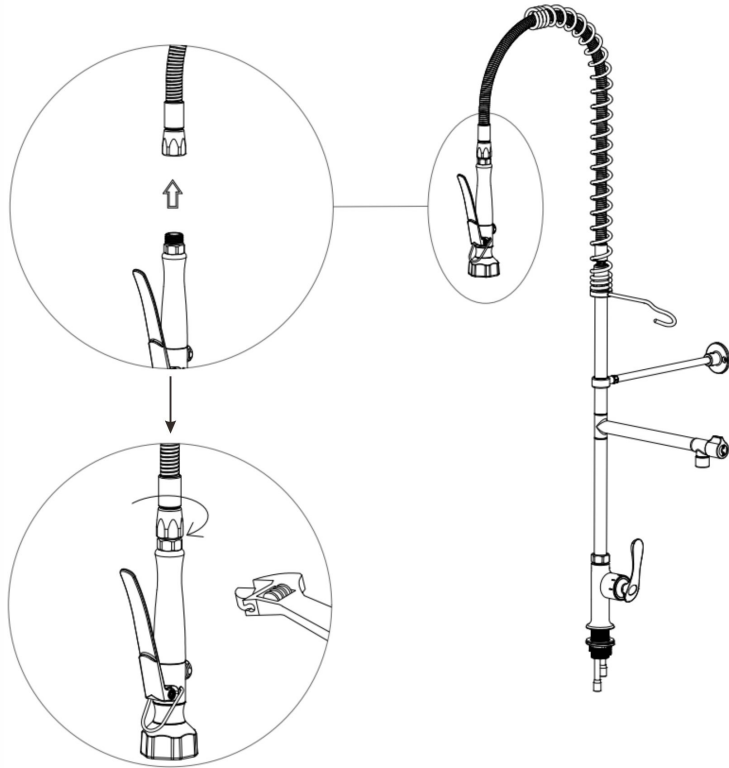
- ③ Wall Bracket Installation: Measure the required distance from the center of the riser to the wall. Cut the wall bracket rod to the appropriate length, install the base and secure the in-wall screws.



- ④ Install the large hose assembly: First remove the stainless steel spring, then install the large hose assembly.



- 5 Spray Valve Installation: Install the spray valve and tighten it with a wrench.



- 6 Connect the Hot and Cold Inlet Tubes: Connect the hot water tube to the left and the cold water tube to the right, then tighten with a wrench. Open the angle valves and turn on the hot and cold handles to check for any leaks in the tubing. Press the spray valve to run water and switch between spray modes to ensure proper functionality.

