

**European Standard Style Deck Mount**

Model No.: ES250

- **75%** Less Strain
- **3X** Rinsing Efficiency
- **50%** Faster Installation
- **5X** Longer Lifespan



**Hose**

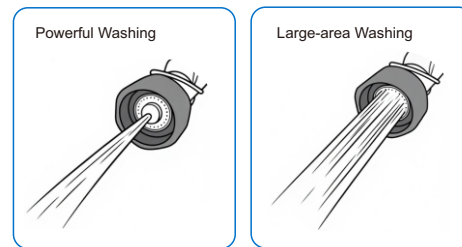
- Heat-resistant up to 95 °C
- Dual 360° swivel head and universal joint
- Tensile strength up to 155 kgs



**Stainless Steel Spray Valve**

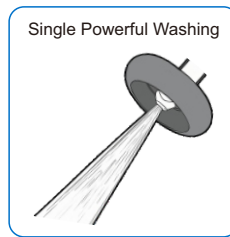
**Patented Dual-function Model**

- Rotary switch (powerful and large-area washing)
- Reduces at least 75% muscle strain



**Single-function Model**

- Single powerful washing
- Reduces at least 75% muscle strain



**Stainless Steel Slow-opening Valve Core**

- Tested for over 200,000 switch cycles (under high-temperature and high-pressure)
- 50% lighter operation (compared to similar products)



Website



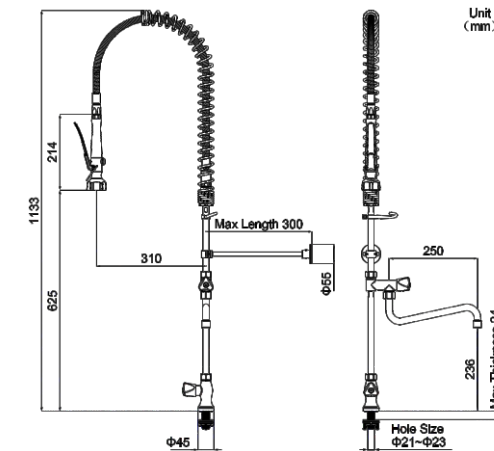
YouTube



WhatsApp



Wechat



Attributes	Details
Model No.	ES250
Style	European Standard Style
Body Mount	Single Hole Deck Mount
Hole Size	Φ21-23 mm
Height	1133 mm
Body Material	304 Stainless Steel
Valve Core	304 Stainless Steel Slow-opening
Spray Valve	Available in Stainless Steel Dual-function or Single-function Options
Hose	Stainless Steel 360° Rotating and Universal Ball Joint (925 mm )
Overhead Spring	304 Stainless Steel
Temperature Control	Single-handle Single-control Cold Water Only
Add-on Swing Nozzle	304 Stainless Steel, 250 mm (≈ 9.84")
Neoperl Aerator Water Flow	Available in 2.11 GPM(8 LPM) or 3.96 GPM(15 LPM) Options
Wall Bracket	Adjustable Range 300 mm
Temperature Max	95°C(203°F)
Pressure Max	2.5 Mpa (25 Bar)
Life Span	200,000+ Cycles



Website



YouTube



WhatsApp



Wechat