

**Economy Standard Style Deck Mount**

Model No.: ECD110

- Stainless Steel Quality at a Brass Price
- Cost-effective Solution

**80%**  
**SUS304**  
WETTED PARTS

**Hose**

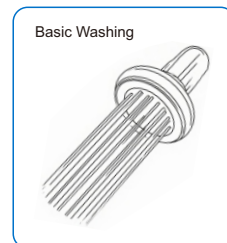
- Heat-resistant up to 95 °C
- Brass single 360° rotating connector
- Tensile strength up to 155 kgs



**Brass Spray Valve**

**Single-function Model**

- Basic washing
- Cost-effective solution



**Stainless Steel**  
**Fast-opening Ceramic**  
**Valve Core**

- Tested for over 200,000 switch cycles (under high-temperature and high-pressure)



Website



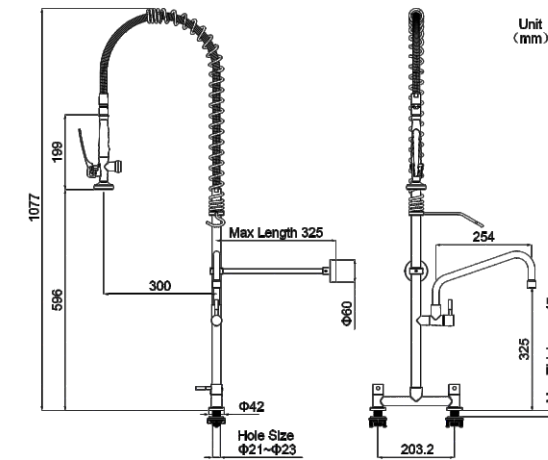
YouTube



WhatsApp



Wechat



Attributes	Details
Model No.	ECD110
Style	Economy Classic Style
Body Mount	Dual Holes Deck Mount
Hole Size	Φ21-35 mm, Hole-to-hole Dimension 8"(203.2 mm)
Height	1077 mm
Body Material	304 Stainless Steel
Valve Core	Fast-opening Ceramic
Spray Valve	Brass Single-function
Hose	Single 360° Rotating Brass Connector (925 mm), SUS304 Outer Casing
Overhead Spring	SUS201 with Black Plating
Temperature Control	Dual-handles Dual-control Hot and Cold Adjustment
Add-on Swing Nozzle	304 Stainless Steel, 10" = 254 mm
Aerator Water Flow	3.96 GPM(15 LPM)
Wall Bracket	Adjustable Range 325 mm
Temperature Max	95°C(203°F)
Pressure Max	2.5 Mpa (25 Bar)
Life Span	200,000+ Cycles



Website



YouTube



WhatsApp



Wechat