

**Affordable Luxury Lite Standard Style Wall Mount**

Model No.: BQW100

- **75%** Less Strain
- **3X** Rinsing Efficiency
- Single-handed Temperature Control
- Ideal Choice for Open Kitchens



**Hose**

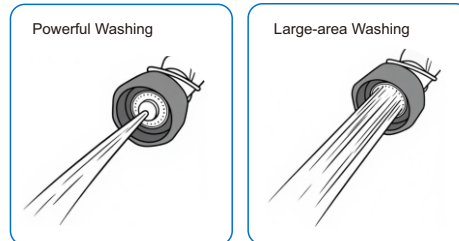
- Heat-resistant up to 95 °C
- Dual 360° swivel head
- Tensile strength up to 155 kgs



**Stainless Steel Spray Valve**

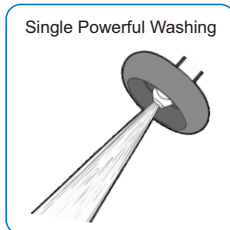
**Patented Dual-function Model**

- Rotary switch (powerful and large-area washing)
- Reduces at least 75% muscle strain



**Single-function Model**

- Single powerful washing
- Reduces at least 75% muscle strain



**Wanhai Brand Single-lever Thermostatic Mixing Ceramic**

- Tested for over 200,000 switch cycles (under high-temperature and high-pressure)
- 2X lifespan compared to the national standard



Website



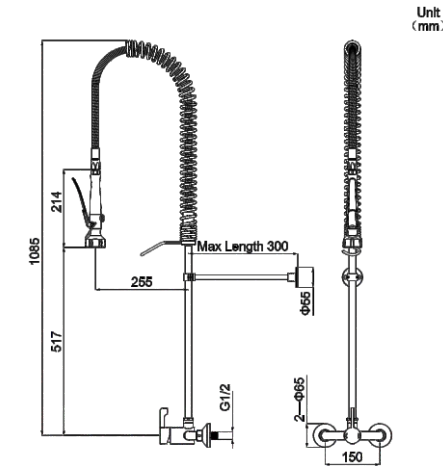
YouTube



WhatsApp



Wechat



Attributes	Details
Model No.	BQW100
Style	Affordable Luxury Lite
Body Mount	Dual Holes Wall Mount
Hole Size	G1/2, Hole-to-hole Dimension 150 mm
Height	1085 mm
Body Material	304 Stainless Steel
Valve Core	Single-lever Thermostatic Mixing Ceramic (Wanhai)
Spray Valve	Available in Stainless Steel Dual-function or Single-function Options
Hose	Stainless Steel 360° Rotating (1000 mm )
Overhead Spring	SUS304 with Black Plating
Temperature Control	Single-handle Dual-control Hot and Cold Adjustment
Neoperl Aerator Water Flow	Available in 2.11 GPM(8 LPM) or 3.96 GPM(15 LPM) Options
Wall Bracket	Adjustable Range 300 mm
Temperature Max	95°C(203°F)
Pressure Max	2.5 Mpa (25 Bar)
Life Span	200,000+ Cycles



Website



YouTube



WhatsApp



Wechat