

American Standard Style Wall Mount

Model No.: AW812

- **75%** Less Strain
- **3X** Rinsing Efficiency
- **50%** Faster Installation
- **5X** Longer Lifespan



Hose

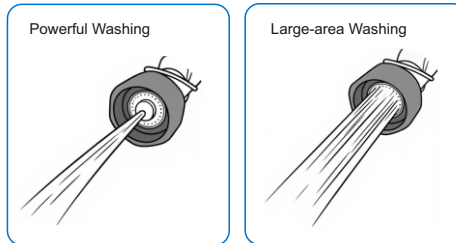
- Heat-resistant up to 95 °C
- Dual 360° swivel head and universal joint
- Tensile strength up to 155 kgs



Stainless Steel Spray Valve

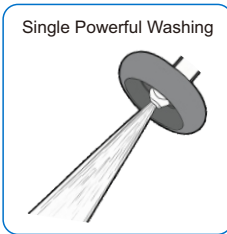
Patented Dual-function Model

- Rotary switch (powerful and large-area washing)
- Reduces at least 75% muscle strain



Single-function Model

- Single powerful washing
- Reduces at least 75% muscle strain



Stainless Steel Rapid Screw Valve Core

- Tested for over 200,000 switch cycles (under high-temperature and high-pressure)



Website



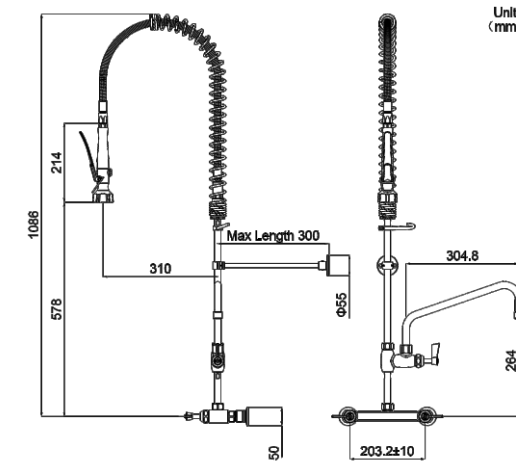
YouTube



WhatsApp



Wechat



Attributes	Details
Model No.	AW812
Style	American Standard Style
Body Mount	Dual Holes Wall Mount
Hole Size	G1/2, Hole-to-hole Dimension 8"(203.2±10 mm)
Height	1086 mm
Body Material	304 Stainless Steel
Valve Core	304 Stainless Steel Rapid Screw
Spray Valve	Available in Stainless Steel Dual-function or Single-function Options
Hose	Stainless Steel 360° Rotating and Universal Ball Joint (925 mm)
Overhead Spring	304 Stainless Steel
Temperature Control	Dual-handles Dual-control Hot and Cold Adjustment
Add-on Swing Nozzle	304 Stainless Steel, 12" = 304.8 mm
Neoperl Aerator Water Flow	Available in 2.11 GPM(8 LPM) or 3.96 GPM(15 LPM) Options
Wall Bracket	Adjustable Range 300 mm
Temperature Max	95°C(203°F)
Pressure Max	2.5 Mpa (25 Bar)
Life Span	200,000+ Cycles



Website



YouTube



WhatsApp



Wechat