

Open Style

Model No.: HRMO-R1500-NLH

- **Dual-function** Flow Mode
- **3X** Continuous Washing Efficiency
- **3X** Smoother Retraction
- **3X** Longer Hose Lifespan

Open Hose Reel

- Durable SUS304 Frame
- Corrosion-resistant

High-Temp Resistant

- 80°C Resistant
- Anti-Deform & Crack



Hose Retraction

- Semi-auto Rewind
- 10,000+ Cycles

Dual-function

- Powerful & Large Area Washing
- Rotary Switch
- Reduces Water Hammer



Website



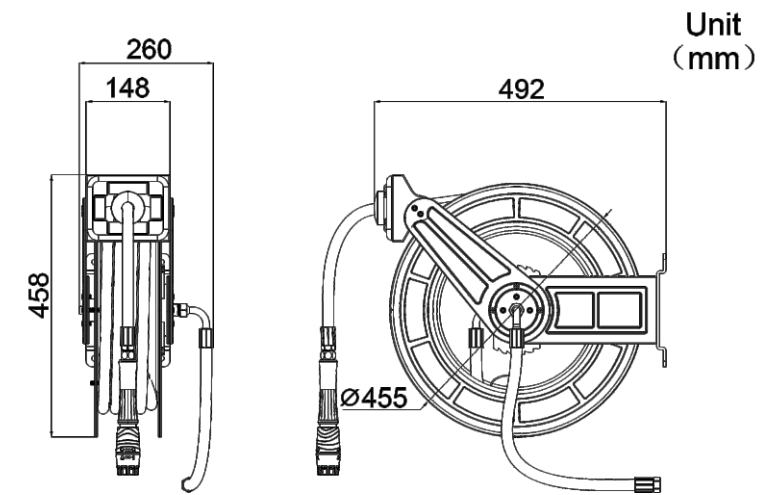
YouTube



WhatsApp



Wechat



Attributes	Details
Model No.	HRMO-R1500-NLH
Style	Open Style
Body Mount	Wall Mount
Product Size	Hose Reel 475 x 515 x 455 mm, Hose (dia 20 mm)
Water Gun	Dual-function
Water Gun Flow Mode	Powerful Washing and Large-area Washing
Water Gun Body Material	Nylon+Brass+SUS304
Hose Material	PVC+Polyester Yarn
Hose Reel Material	SUS304
Hose Rewinding Mode	Semi-auto
Hose Length	15 Meters
Temperature Max	80°C(176°F)
Pressure Max	1.03 Mpa (10.3 Bar)
Life Span of Hose Rewinding	10,000+ Cycles
Life Span of Water Gun	200,000+ Cycles



Website



YouTube



WhatsApp



Wechat