

Enclosed Style

Model No.: HRELG-R1500-NLH

- **Dual-function** Flow Mode
- **3X** Continuous Washing Efficiency
- **3X** Smoother Retraction
- **3X** Longer Hose Lifespan

High-Temp Resistant

- 80°C Resistant
- Anti-Deform & Crack

Precision Hose Retraction

- Semi-auto Rewind
- 10,000+ Cycles

Flexible Design

- Wall Mount & Portable Use
- Top Handle



Auto Hose Reel

- Self-adjusting
- No Tangling

Dual-function Water Gun

- Powerful & Large Area Washing
- Rotary Switch
- Reduces Water Hammer

Enclosed Hose Reel

- Impact-resistant
- Dustproof



Website



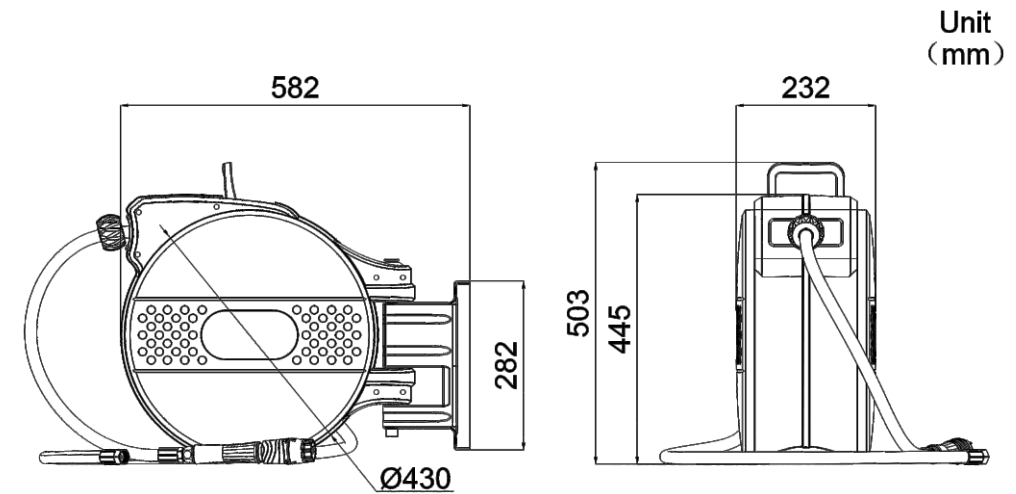
YouTube



WhatsApp



Wechat



Unit
(mm)

Attributes	Details
Model No.	HRELG-R1500-NLH
Style	Enclosed Style
Body Mount	Wall Mount (Detachable)
Product Size	Hose Reel 578.5 x 248 x 446 mm, Hose (dia 20 mm)
Water Gun	Dual-function
Water Gun Flow Mode	Powerful Washing and Large-area Washing
Water Gun Body Material	Nylon+Brass+SUS304
Hose Material	PVC+Polyester Yarn
Hose Reel Material	ABS
Hose Rewinding Mode	Semi-auto
Hose Reeling Mode	Auto
Hose Length	15 Meters
Temperature Max	80°C(176°F)
Pressure Max	1.03 Mpa (10.3 Bar)
Life Span of Hose Rewinding	10,000+ Cycles
Life Span of Water Gun	200,000+ Cycles



Website



YouTube



WhatsApp



Wechat