



## BESTWARE Hardware Production Co., Ltd.

Add: Block 8, No.6, Jianda Nan Road, Jiangmen, Guangdong, China

Email: [business@bestware-stainless.com](mailto:business@bestware-stainless.com)    [after-sales@bestware-stainless.com](mailto:after-sales@bestware-stainless.com)

WhatsApp: +86 18929047065    Tel: +86 750 3108801

Wechat: +86 18929047065



Website



YouTube



WhatsApp



Wechat

2025 V2.0



Series Catalog

Expertise in Stainless Steel

# PRE RINSE FAUCET

PREMIER SOLUTION PROVIDER OF ONE-STOP STAINLESS COMMERCIAL FAUCETS

[www.bestware-stainless.com](http://www.bestware-stainless.com)

# CONTENTS

## PRE RINSE FAUCET

---

European Style	01
American Style	13
Affordable Luxury Style	23
Economy Style	27

### ✓ Product Advantages

Since its establishment, Bestware has always adhered to the principle of "solving industry pain points through product selling points", creating more value for customers. Below is an overview of our unique selling points.



Pre Rinse Faucet

Pain Points	Selling Points
Brass Contains Lead, Relatively Soft	SUS304 (Lead-free), Perfect for High-wear Commercial Use
High Hose Leakage Rate and Short Lifespan	Exclusive Stainless Steel Hose, 200K+ Rotations Under High Temp & Pressure
Low-power, Poor Ergonomics Spray Valve	Patented Dual-function Spray Valve for Powerful/Large-area Washing
Brass Valve Core with Poor Wear Resistance	Use SUS304, Wear-resistant/Leak-resistant/Low Replacement Frequency

Note: Suitable for European and American Style Models

### ✓ Our Commitments

- 97%+** Product Satisfaction Upon Receipt by Customers
- 100%** 304/316 Stainless Steel (Unless Specified Otherwise)
- 100%** Product Qualification Rate at Factory Shipment
- 100%** Customer Complaint Resolution Rate



**Take Bestware for a spin, and it'll be your go-to forever!**

# PRE RINSE FAUCET

EXPERTISE IN STAINLESS STEEL  
**BESTWARE**  
 ONE-STOP SOLUTION PROVIDER OF STAINLESS COMMERCIAL FAUCETS

Key Parts		Features
Spray Valve	Dual-function (Standard)	Two Modes for Powerful Washing and Large-area Washing
		24 Precisely Designed Angles Ensure Uniform Flow and Broad Coverage
	Reduces Water Hammer, Protecting Water Piping	
Hose	Single-function (Optional)	Ergonomic Hydraulic Buffer Reduces Fatigue During Extended Use
	Material	Single Mode for Powerful Washing
	Structure	Inner with EPDM, Outer with SUS304, Heat-resistant up to 95°C
Valve Core	Lifespan	360° Rotating Head and Universal Ball Joint, up to 155 kg Pulling Force
	Material	Up to 200,000+ Rotations and Swings
Aerator	Kind	SUS304 Slow-opening Valve Core, up to 200,000+ Cycles
		Neoperl Brand, Provides Excellent Water Control, Prevents Splashing



EXPERTISE IN STAINLESS STEEL  
**BESTWARE**  
 ONE-STOP SOLUTION PROVIDER OF STAINLESS COMMERCIAL FAUCETS

# EUROPEAN STYLE



## EUROPEAN STYLE

EXPERTISE IN STAINLESS STEEL

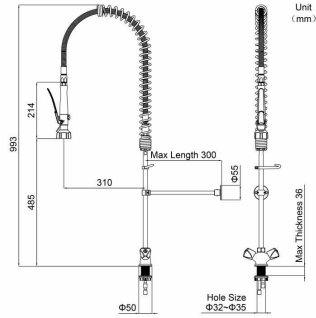
# BESTWARE

ONE-STOP SOLUTION PROVIDER OF STAINLESS COMMERCIAL FAUCETS



### EF100

Standard Style Deck Mount Pre Rinse Faucet

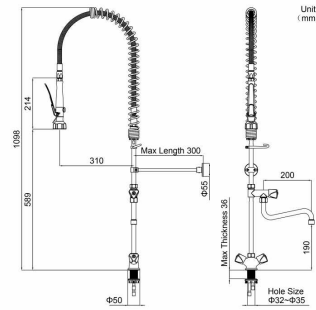


Attributes	Details
Add-on Swing Nozzle	/
Neoperl Aerator Water Flow	/
Temperature Control	Dual-handles Dual-control Hot and Cold Adjustment
Hole Size	Φ32-35 mm



### EF200

Standard Style Deck Mount Pre Rinse Faucet



Attributes	Details
Add-on Swing Nozzle	7.87"(200 mm)
Neoperl Aerator Water Flow	Available in 2.11 GPM (8 LPM) or 3.96 GPM (15 LPM) Options
Temperature Control	Dual-handles Dual-control Hot and Cold Adjustment
Hole Size	Φ32-35 mm

EXPERTISE IN STAINLESS STEEL

# BESTWARE

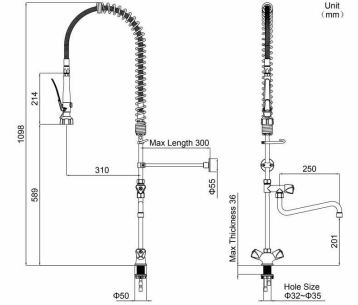
ONE-STOP SOLUTION PROVIDER OF STAINLESS COMMERCIAL FAUCETS

## EUROPEAN STYLE



### EF250

Standard Style Deck Mount Pre Rinse Faucet

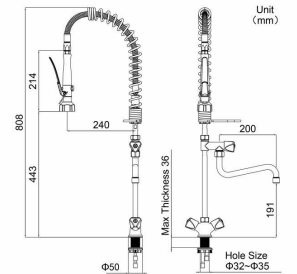


Attributes	Details
Add-on Swing Nozzle	9.84"(250 mm)
Neoperl Aerator Water Flow	Available in 2.11 GPM (8 LPM) or 3.96 GPM (15 LPM) Options
Temperature Control	Dual-handles Dual-control Hot and Cold Adjustment
Hole Size	Φ32-35 mm



### EF200C

Mini Style Deck Mount Pre Rinse Faucet



Attributes	Details
Add-on Swing Nozzle	7.87"(200 mm)
Neoperl Aerator Water Flow	Available in 2.11 GPM (8 LPM) or 3.96 GPM (15 LPM) Options
Temperature Control	Dual-handles Dual-control Hot and Cold Adjustment
Hole Size	Φ32-35 mm

## EUROPEAN STYLE

EXPERTISE IN STAINLESS STEEL

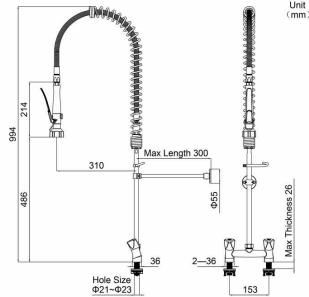
# BESTWARE

ONE-STOP SOLUTION PROVIDER OF STAINLESS COMMERCIAL FAUCETS



**EH100**

Standard Style Dual Deck Mount Pre Rinse Faucet



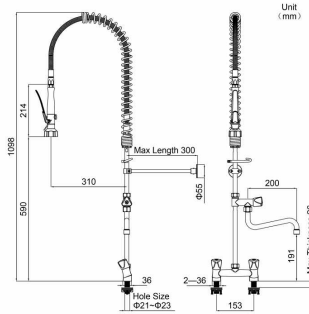
Unit (mm)

Attributes	Details
Add-on Swing Nozzle	/
Neoperl Aerator Water Flow	/
Temperature Control	Dual-handles Dual-control Hot and Cold Adjustment
Hole Size	Φ21-23 mm, Hole-to-hole Dimension 6"(153 mm)



**EH200**

Standard Style Dual Deck Mount Pre Rinse Faucet



Unit (mm)

Attributes	Details
Add-on Swing Nozzle	7.87"(200 mm)
Neoperl Aerator Water Flow	Available in 2.11 GPM (8 LPM) or 3.96 GPM (15 LPM) Options
Temperature Control	Dual-handles Dual-control Hot and Cold Adjustment
Hole Size	Φ21-23 mm, Hole-to-hole Dimension 6"(153 mm)

EXPERTISE IN STAINLESS STEEL

# BESTWARE

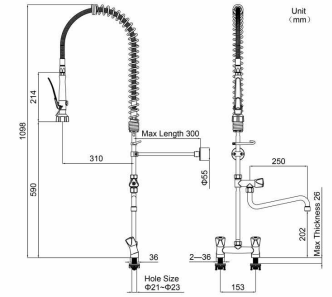
ONE-STOP SOLUTION PROVIDER OF STAINLESS COMMERCIAL FAUCETS

## EUROPEAN STYLE



**EH250**

Standard Style Dual Deck Mount Pre Rinse Faucet



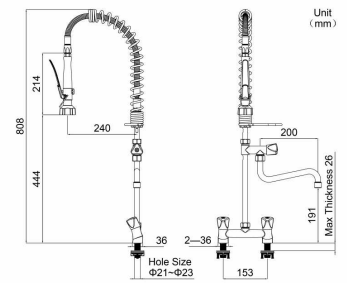
Unit (mm)

Attributes	Details
Add-on Swing Nozzle	9.84"(250 mm)
Neoperl Aerator Water Flow	Available in 2.11 GPM (8 LPM) or 3.96 GPM (15 LPM) Options
Temperature Control	Dual-handles Dual-control Hot and Cold Adjustment
Hole Size	Φ21-23 mm, Hole-to-hole Dimension 6"(153 mm)



**EH200C**

Mini Style Dual Deck Mount Pre Rinse Faucet



Unit (mm)

Attributes	Details
Add-on Swing Nozzle	7.87"(200 mm)
Neoperl Aerator Water Flow	Available in 2.11 GPM (8 LPM) or 3.96 GPM (15 LPM) Options
Temperature Control	Dual-handles Dual-control Hot and Cold Adjustment
Hole Size	Φ21-23 mm, Hole-to-hole Dimension 6"(153 mm)

## EUROPEAN STYLE

EXPERTISE IN STAINLESS STEEL

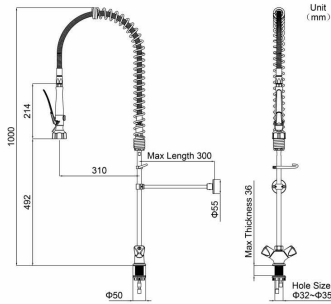
# BESTWARE

ONE-STOP SOLUTION PROVIDER OF STAINLESS COMMERCIAL FAUCETS



### ED100

Standard Style Deck Mount Pre Rinse Faucet

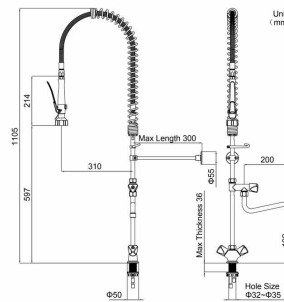


Attributes	Details
Add-on Swing Nozzle	/
Neoperl Aerator Water Flow	/
Temperature Control	Dual-handles Dual-control Hot and Cold Adjustment
Hole Size	Φ32-35 mm



### ED200

Standard Style Deck Mount Pre Rinse Faucet



Attributes	Details
Add-on Swing Nozzle	7.87"(200 mm)
Neoperl Aerator Water Flow	Available in 2.11 GPM (8 LPM) or 3.96 GPM (15 LPM) Options
Temperature Control	Dual-handles Dual-control Hot and Cold Adjustment
Hole Size	Φ32-35 mm

EXPERTISE IN STAINLESS STEEL

# BESTWARE

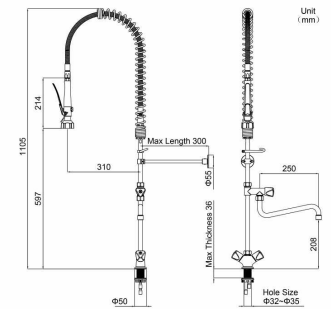
ONE-STOP SOLUTION PROVIDER OF STAINLESS COMMERCIAL FAUCETS

## EUROPEAN STYLE



### ED250

Standard Style Deck Mount Pre Rinse Faucet

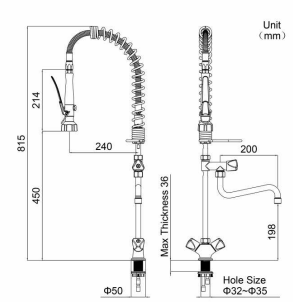


Attributes	Details
Add-on Swing Nozzle	9.84"(250 mm)
Neoperl Aerator Water Flow	Available in 2.11 GPM (8 LPM) or 3.96 GPM (15 LPM) Options
Temperature Control	Dual-handles Dual-control Hot and Cold Adjustment
Hole Size	Φ32-35 mm



### ED200C

Mini Style Deck Mount Pre Rinse Faucet



Attributes	Details
Add-on Swing Nozzle	7.87"(200 mm)
Neoperl Aerator Water Flow	Available in 2.11 GPM (8 LPM) or 3.96 GPM (15 LPM) Options
Temperature Control	Dual-handles Dual-control Hot and Cold Adjustment
Hole Size	Φ32-35 mm

## EUROPEAN STYLE

EXPERTISE IN STAINLESS STEEL

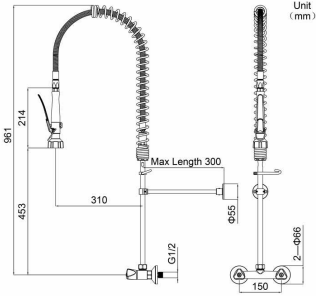
# BESTWARE

ONE-STOP SOLUTION PROVIDER OF STAINLESS COMMERCIAL FAUCETS



### EW100

Standard Style Wall Mount Pre Rinse Faucet

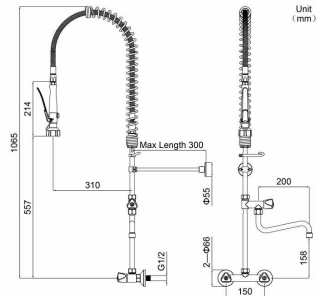


Attributes	Details
Add-on Swing Nozzle	/
Neoperl Aerator Water Flow	/
Temperature Control	Dual-handles Dual-control Hot and Cold Adjustment
Hole Size	G1/2, Hole-to-hole Dimension 5.91"(150 mm)



### EW200

Standard Style Wall Mount Pre Rinse Faucet



Attributes	Details
Add-on Swing Nozzle	7.87"(200 mm)
Neoperl Aerator Water Flow	Available in 2.11 GPM (8 LPM) or 3.96 GPM (15 LPM) Options
Temperature Control	Dual-handles Dual-control Hot and Cold Adjustment
Hole Size	G1/2, Hole-to-hole Dimension 5.91"(150 mm)

EXPERTISE IN STAINLESS STEEL

# BESTWARE

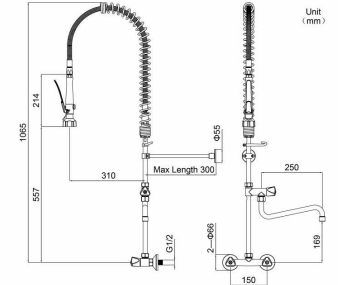
ONE-STOP SOLUTION PROVIDER OF STAINLESS COMMERCIAL FAUCETS

## EUROPEAN STYLE



### EW250

Standard Style Wall Mount Pre Rinse Faucet

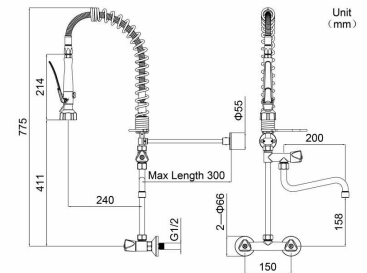


Attributes	Details
Add-on Swing Nozzle	9.84"(250 mm)
Neoperl Aerator Water Flow	Available in 2.11 GPM (8 LPM) or 3.96 GPM (15 LPM) Options
Temperature Control	Dual-handles Dual-control Hot and Cold Adjustment
Hole Size	G1/2, Hole-to-hole Dimension 5.91"(150 mm)



### EW200C

Mini Style Wall Mount Pre Rinse Faucet



Attributes	Details
Add-on Swing Nozzle	7.87"(200 mm)
Neoperl Aerator Water Flow	Available in 2.11 GPM (8 LPM) or 3.96 GPM (15 LPM) Options
Temperature Control	Dual-handles Dual-control Hot and Cold Adjustment
Hole Size	G1/2, Hole-to-hole Dimension 5.91"(150 mm)

## EUROPEAN STYLE

EXPERTISE IN STAINLESS STEEL

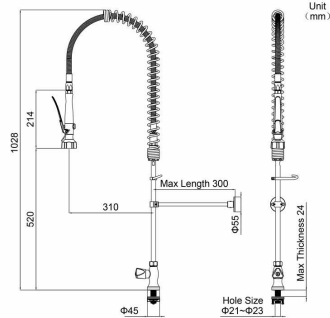
# BESTWARE

ONE-STOP SOLUTION PROVIDER OF STAINLESS COMMERCIAL FAUCETS



### ES100

Standard Style Deck Mount Pre Rinse Faucet

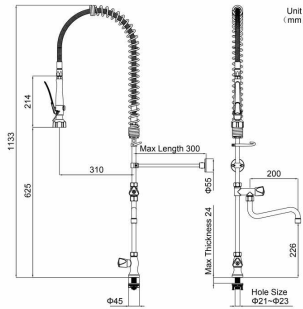


Attributes	Details
Add-on Swing Nozzle	/
Neoperl Aerator Water Flow	/
Temperature Control	Single-handle Single-control Cold Water Only
Hole Size	Φ21-23 mm



### ES200

Standard Style Deck Mount Pre Rinse Faucet



Attributes	Details
Add-on Swing Nozzle	7.87"(200 mm)
Neoperl Aerator Water Flow	Available in 2.11 GPM (8 LPM) or 3.96 GPM (15 LPM) Options
Temperature Control	Single-handle Single-control Cold Water Only
Hole Size	Φ21-23 mm

EXPERTISE IN STAINLESS STEEL

# BESTWARE

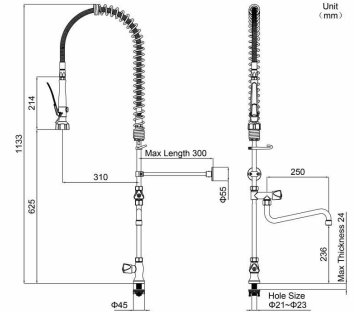
ONE-STOP SOLUTION PROVIDER OF STAINLESS COMMERCIAL FAUCETS

## EUROPEAN STYLE



### ES250

Standard Style Deck Mount Pre Rinse Faucet

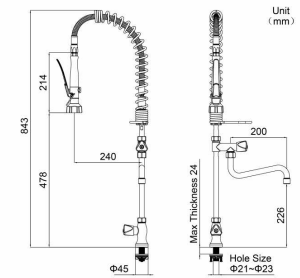


Attributes	Details
Add-on Swing Nozzle	9.84"(250 mm)
Neoperl Aerator Water Flow	Available in 2.11 GPM (8 LPM) or 3.96 GPM (15 LPM) Options
Temperature Control	Single-handle Single-control Cold Water Only
Hole Size	Φ21-23 mm



### ES200C

Mini Style Deck Mount Pre Rinse Faucet



Attributes	Details
Add-on Swing Nozzle	7.87"(200 mm)
Neoperl Aerator Water Flow	Available in 2.11 GPM (8 LPM) or 3.96 GPM (15 LPM) Options
Temperature Control	Single-handle Single-control Cold Water Only
Hole Size	Φ21-23 mm

# PRE RINSE FAUCET

EXPERTISE IN STAINLESS STEEL  
**BESTWARE**  
 ONE-STOP SOLUTION PROVIDER OF STAINLESS COMMERCIAL FAUCETS

Key Parts		Features
Spray Valve	Dual-function (Standard)	Two Modes for Powerful Washing and Large-area Washing
		24 Precisely Designed Angles Ensure Uniform Flow and Broad Coverage
	Reduces Water Hammer, Protecting Water Piping	
Hose	Single-function (Optional)	Ergonomic Hydraulic Buffer Reduces Fatigue during Extended Use
	Material	Inner with EPDM, Outer with SUS304, Heat-resistant up to 95°C
	Structure	360° Rotating Head and Universal Ball Joint, up to 155 kg Pulling Force
Valve Core	Lifespan	Up to 200,000+ Rotations and Swings
	Material	SUS304 Rapid Screw Valve Core, up to 200,000+ Cycles
Aerator	Kind	Neoperl Brand, Provides Excellent Water Control, Prevents Splashing



**100%** SUS304  
**75%** Less Fatigue  
**3X** Rinsing Efficiency  
**5X** Longer Lifespan  
**50%** Faster Installation

EXPERTISE IN STAINLESS STEEL  
**BESTWARE**  
 ONE-STOP SOLUTION PROVIDER OF STAINLESS COMMERCIAL FAUCETS

# AMERICAN STYLE



## AMERICAN STYLE

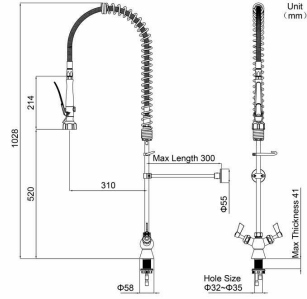
EXPERTISE IN STAINLESS STEEL

# BESTWARE

ONE-STOP SOLUTION PROVIDER OF STAINLESS COMMERCIAL FAUCETS



100% SUS304 WETTED PARTS



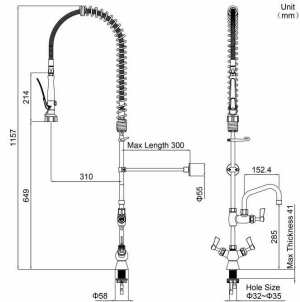
**AA100**

Standard Style Deck Mount Pre Rinse Faucet

Attributes	Details
Add-on Swing Nozzle	/
Neoperl Aerator Water Flow	/
Temperature Control	Dual-handles Dual-control Hot and Cold Adjustment
Hole Size	Φ32-35 mm



100% SUS304 WETTED PARTS



**AA106**

Standard Style Deck Mount Pre Rinse Faucet

Attributes	Details
Add-on Swing Nozzle	6"(152.4 mm)
Neoperl Aerator Water Flow	Available in 2.11 GPM (8 LPM) or 3.96 GPM (15 LPM) Options
Temperature Control	Dual-handles Dual-control Hot and Cold Adjustment
Hole Size	Φ32-35 mm

EXPERTISE IN STAINLESS STEEL

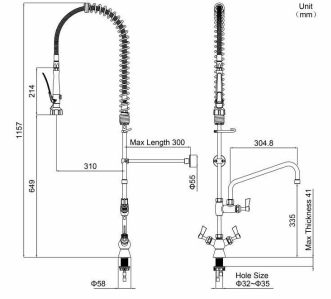
# BESTWARE

ONE-STOP SOLUTION PROVIDER OF STAINLESS COMMERCIAL FAUCETS

## AMERICAN STYLE



100% SUS304 WETTED PARTS



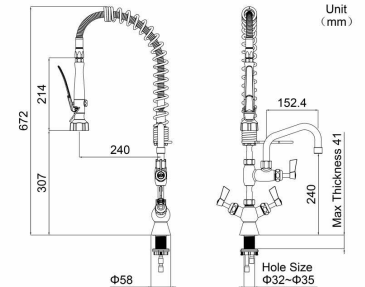
**AA112**

Standard Style Deck Mount Pre Rinse Faucet

Attributes	Details
Add-on Swing Nozzle	12"(304.8 mm)
Neoperl Aerator Water Flow	Available in 2.11 GPM (8 LPM) or 3.96 GPM (15 LPM) Options
Temperature Control	Dual-handles Dual-control Hot and Cold Adjustment
Hole Size	Φ32-35 mm



100% SUS304 WETTED PARTS



**AA106C**

Mini Style Deck Mount Pre Rinse Faucet

Attributes	Details
Add-on Swing Nozzle	6"(152.4 mm)
Neoperl Aerator Water Flow	Available in 2.11 GPM (8 LPM) or 3.96 GPM (15 LPM) Options
Temperature Control	Dual-handles Dual-control Hot and Cold Adjustment
Hole Size	Φ32-35 mm

## AMERICAN STYLE

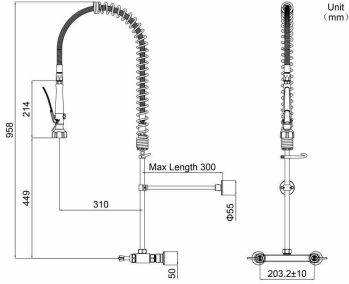
EXPERTISE IN STAINLESS STEEL

# BESTWARE

ONE-STOP SOLUTION PROVIDER OF STAINLESS COMMERCIAL FAUCETS



100%  
SUS304  
WETTED PARTS



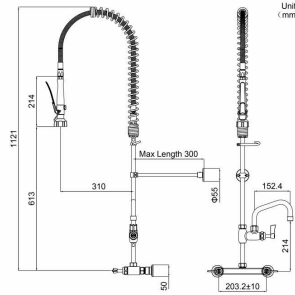
### AW800

Standard Style Wall Mount Pre Rinse Faucet

Attributes	Details
Add-on Swing Nozzle	/
Neoperl Aerator Water Flow	/
Temperature Control	Dual-handles Dual-control Hot and Cold Adjustment
Hole Size	G1/2, Hole-to-hole Dimension 8"(203.2±10 mm)



100%  
SUS304  
WETTED PARTS



### AW806

Standard Style Wall Mount Pre Rinse Faucet

Attributes	Details
Add-on Swing Nozzle	6"(152.4 mm)
Neoperl Aerator Water Flow	Available in 2.11 GPM (8 LPM) or 3.96 GPM (15 LPM) Options
Temperature Control	Dual-handles Dual-control Hot and Cold Adjustment
Hole Size	G1/2, Hole-to-hole Dimension 8"(203.2±10 mm)

EXPERTISE IN STAINLESS STEEL

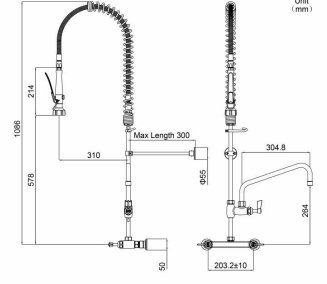
# BESTWARE

ONE-STOP SOLUTION PROVIDER OF STAINLESS COMMERCIAL FAUCETS

## AMERICAN STYLE



100%  
SUS304  
WETTED PARTS



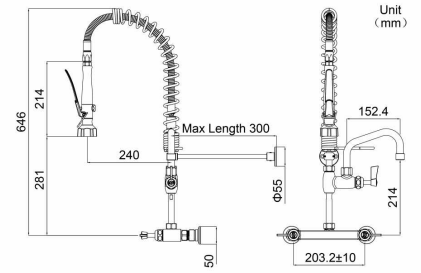
### AW812

Standard Style Wall Mount Pre Rinse Faucet

Attributes	Details
Add-on Swing Nozzle	12"(304.8 mm)
Neoperl Aerator Water Flow	Available in 2.11 GPM (8 LPM) or 3.96 GPM (15 LPM) Options
Temperature Control	Dual-handles Dual-control Hot and Cold Adjustment
Hole Size	G1/2, Hole-to-hole Dimension 8"(203.2±10 mm)



100%  
SUS304  
WETTED PARTS



### AW806C

Mini Style Wall Mount Pre Rinse Faucet

Attributes	Details
Add-on Swing Nozzle	6"(152.4 mm)
Neoperl Aerator Water Flow	Available in 2.11 GPM (8 LPM) or 3.96 GPM (15 LPM) Options
Temperature Control	Dual-handles Dual-control Hot and Cold Adjustment
Hole Size	G1/2, Hole-to-hole Dimension 8"(203.2±10 mm)

## AMERICAN STYLE

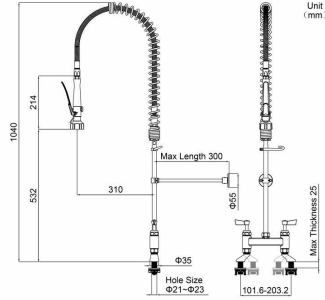
EXPERTISE IN STAINLESS STEEL

# BESTWARE

ONE-STOP SOLUTION PROVIDER OF STAINLESS COMMERCIAL FAUCETS



100%  
SUS304  
WETTED PARTS



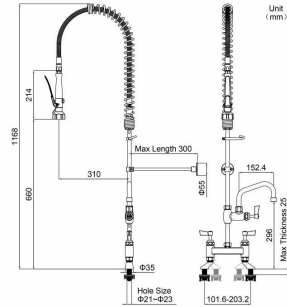
### AD100

Standard Style Dual Deck Mount Pre Rinse Faucet

Attributes	Details
Add-on Swing Nozzle	/
Neoperl Aerator Water Flow	/
Temperature Control	Dual-handles Dual-control Hot and Cold Adjustment
Hole Size	Φ21-23 mm, Hole-to-hole Dimension 4"(101.6 mm)-8"(203.2 mm)



100%  
SUS304  
WETTED PARTS



### AD106

Standard Style Dual Deck Mount Pre Rinse Faucet

Attributes	Details
Add-on Swing Nozzle	6"(152.4 mm)
Neoperl Aerator Water Flow	Available in 2.11 GPM (8 LPM) or 3.96 GPM (15 LPM) Options
Temperature Control	Dual-handles Dual-control Hot and Cold Adjustment
Hole Size	Φ21-23 mm, Hole-to-hole Dimension 4"(101.6 mm)-8"(203.2 mm)

EXPERTISE IN STAINLESS STEEL

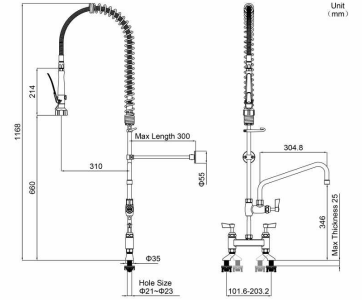
# BESTWARE

ONE-STOP SOLUTION PROVIDER OF STAINLESS COMMERCIAL FAUCETS

## AMERICAN STYLE



100%  
SUS304  
WETTED PARTS



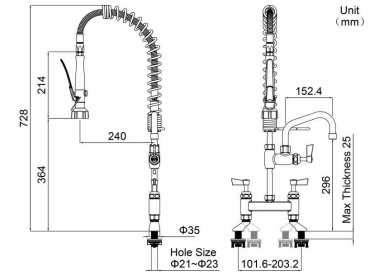
### AD112

Standard Style Dual Deck Mount Pre Rinse Faucet

Attributes	Details
Add-on Swing Nozzle	12"(304.8 mm)
Neoperl Aerator Water Flow	Available in 2.11 GPM (8 LPM) or 3.96 GPM (15 LPM) Options
Temperature Control	Dual-handles Dual-control Hot and Cold Adjustment
Hole Size	Φ21-23 mm, Hole-to-hole Dimension 4"(101.6 mm)-8"(203.2 mm)



100%  
SUS304  
WETTED PARTS



### AD106C

Mini Style Dual Deck Mount Pre Rinse Faucet

Attributes	Details
Add-on Swing Nozzle	6"(152.4 mm)
Neoperl Aerator Water Flow	Available in 2.11 GPM (8 LPM) or 3.96 GPM (15 LPM) Options
Temperature Control	Dual-handles Dual-control Hot and Cold Adjustment
Hole Size	Φ21-23 mm, Hole-to-hole Dimension 4"(101.6 mm)-8"(203.2 mm)

## AMERICAN STYLE

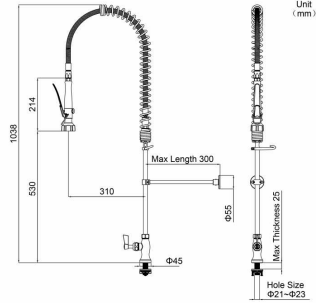
EXPERTISE IN STAINLESS STEEL

# BESTWARE

ONE-STOP SOLUTION PROVIDER OF STAINLESS COMMERCIAL FAUCETS



100%  
SUS304  
WETTED PARTS



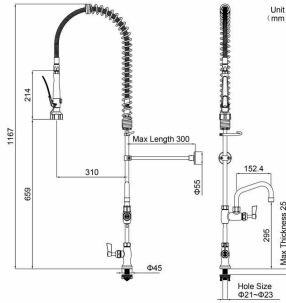
### AS100

Standard Style Deck Mount Pre Rinse Faucet

Attributes	Details
Add-on Swing Nozzle	/
Neoperl Aerator Water Flow	/
Temperature Control	Single-handle Single-control Cold Water Only
Hole Size	Φ21-23 mm



100%  
SUS304  
WETTED PARTS



### AS106

Standard Style Deck Mount Pre Rinse Faucet

Attributes	Details
Add-on Swing Nozzle	6"(152.4 mm)
Neoperl Aerator Water Flow	Available in 2.11 GPM (8 LPM) or 3.96 GPM (15 LPM) Options
Temperature Control	Single-handle Single-control Cold Water Only
Hole Size	Φ21-23 mm

EXPERTISE IN STAINLESS STEEL

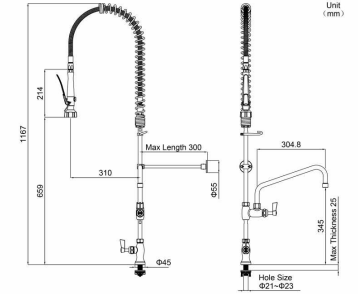
# BESTWARE

ONE-STOP SOLUTION PROVIDER OF STAINLESS COMMERCIAL FAUCETS

## AMERICAN STYLE



100%  
SUS304  
WETTED PARTS



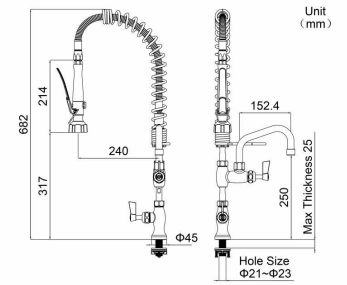
### AS112

Standard Style Deck Mount Pre Rinse Faucet

Attributes	Details
Add-on Swing Nozzle	12"(304.8 mm)
Neoperl Aerator Water Flow	Available in 2.11 GPM (8 LPM) or 3.96 GPM (15 LPM) Options
Temperature Control	Single-handle Single-control Cold Water Only
Hole Size	Φ21-23 mm



100%  
SUS304  
WETTED PARTS



### AS106C

Mini Style Deck Mount Pre Rinse Faucet

Attributes	Details
Add-on Swing Nozzle	6"(152.4 mm)
Neoperl Aerator Water Flow	Available in 2.11 GPM (8 LPM) or 3.96 GPM (15 LPM) Options
Temperature Control	Single-handle Single-control Cold Water Only
Hole Size	Φ21-23 mm

# PRE RINSE FAUCET

EXPERTISE IN STAINLESS STEEL  
**BESTWARE**  
 ONE-STOP SOLUTION PROVIDER OF STAINLESS COMMERCIAL FAUCETS

Key Parts		Features
Spray Valve	Dual-function (Standard)	Two Modes for Powerful Washing and Large-area Washing
		24 Precisely Designed Angles Ensure Uniform Flow and Broad Coverage
	Reduces Water Hammer, Protecting Water Piping	
Hose	Single-function (Optional)	Ergonomic Hydraulic Buffer Reduces Fatigue during Extended Use
	Material	Single Mode for Powerful Washing
	Structure	Inner with EPDM, Outer with SUS304, Heat-resistant up to 95°C
Valve Core	Lifespan	360° Rotating Head and Universal Ball Joint, up to 155 kg Pulling Force
	Material	Up to 200,000+ Rotations and Swings
Aerator	Kind	SEDAL Ceramic Valve Core, up to 140,000+ Cycles
		Neoperl Brand, Provides Excellent Water Control, Prevents Splashing



Single-handed  
 Temperature Control  
**75%** Less Fatigue  
**3X** Rinsing Efficiency  
 Ideal Choice for Open Kitchens



EXPERTISE IN STAINLESS STEEL  
**BESTWARE**  
 ONE-STOP SOLUTION PROVIDER OF STAINLESS COMMERCIAL FAUCETS

# AFFORDABLE LUXURY STYLE

**360°**  
 Durability with Universal Joint

**100% SUS304 WETTED PARTS**

**Powerful**

**Large-area**

**Powerful**

**Dual Function (Standard)**

**Single Function (Optional)**

**Neoperl Aerator**

**SEDAL Ceramic Valve Core**

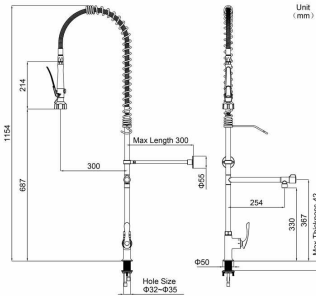
**Single-handle Dual-temperature Control**

AFFORDABLE LUXURY STYLE

EXPERTISE IN STAINLESS STEEL  
**BESTWARE**  
 ONE-STOP SOLUTION PROVIDER OF STAINLESS COMMERCIAL FAUCETS



100%  
 SUS304  
 WETTED PARTS

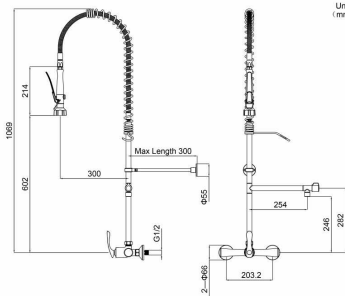


**BH110**  
 Standard Style Deck Mount Pre Rinse Faucet

Attributes	Details
Add-on Swing Nozzle	10"(254 mm)
Neoperl Aerator Water Flow	Available in 2.11 GPM (8 LPM) or 3.96 GPM (15 LPM) Options
Temperature Control	Single-handle Dual-control Hot and Cold Adjustment
Hole Size	Φ32-35 mm



100%  
 SUS304  
 WETTED PARTS



**BW110**  
 Standard Style Wall Mount Pre Rinse Faucet

Attributes	Details
Add-on Swing Nozzle	10"(254 mm)
Neoperl Aerator Water Flow	Available in 2.11 GPM (8 LPM) or 3.96 GPM (15 LPM) Options
Temperature Control	Single-handle Dual-control Hot and Cold Adjustment
Hole Size	G1/2, Hole-to-Hole Dimension 8"(203.2 mm)

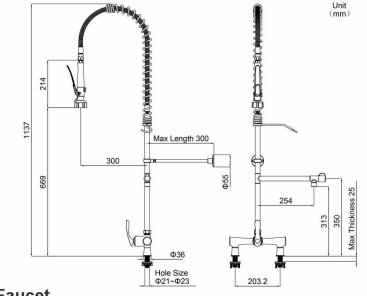
EXPERTISE IN STAINLESS STEEL

**BESTWARE**  
 ONE-STOP SOLUTION PROVIDER OF STAINLESS COMMERCIAL FAUCETS

AFFORDABLE LUXURY STYLE



100%  
 SUS304  
 WETTED PARTS



**BD110**  
 Standard Style Dual Deck Mount Pre Rinse Faucet

Attributes	Details
Add-on Swing Nozzle	10"(254 mm)
Neoperl Aerator Water Flow	Available in 2.11 GPM (8 LPM) or 3.96 GPM (15 LPM) Options
Temperature Control	Single-handle Dual-control Hot and Cold Adjustment
Hole Size	Φ21-23 mm, Hole-to-hole Dimension 8"(203.2 mm)

## PRE RINSE FAUCET

EXPERTISE IN STAINLESS STEEL  
**BESTWARE**  
 ONE-STOP SOLUTION PROVIDER OF STAINLESS COMMERCIAL FAUCETS

Key Parts		Features
Spray Valve	Single-function	Single Mode for Powerful Washing
Hose	Material	Inner with EPDM, Outer with SUS304, Heat-resistant up to 95°C
	Structure	Single 360° Rotating Head, up to 155 kg Pulling Force
Valve Core	Material	SUS304 Fast-opening Ceramic Valve Core, up to 200,000+ Cycles
Aerator	Function	Prevents Splashing



**Stainless Steel Quality**  
 at a Brass Price  
 Cost-effective Solution



EXPERTISE IN STAINLESS STEEL  
**BESTWARE**  
 ONE-STOP SOLUTION PROVIDER OF STAINLESS COMMERCIAL FAUCETS

## ECONOMY STYLE



## ECONOMY STYLE

EXPERTISE IN STAINLESS STEEL

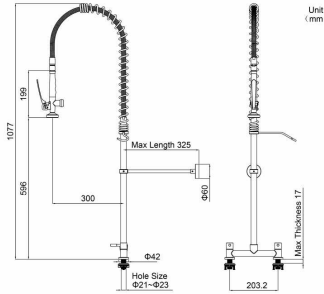
# BESTWARE

ONE-STOP SOLUTION PROVIDER OF STAINLESS COMMERCIAL FAUCETS



### ECD100

Standard Style Dual Deck Mount Pre Rinse Faucet

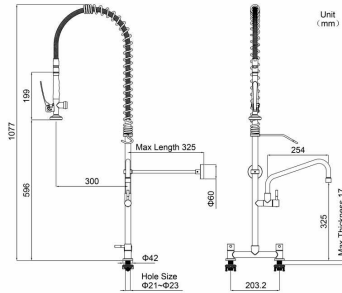


Attributes	Details
Add-on Swing Nozzle	/
Aerator Water Flow	/
Temperature Control	Dual-handles Dual-control Hot and Cold Adjustment
Hole Size	Φ21-23 mm, Hole-to-hole Dimension 8"(203.2 mm)



### ECD110

Standard Style Dual Deck Mount Pre Rinse Faucet



Attributes	Details
Add-on Swing Nozzle	10"(254 mm)
Aerator Water Flow	Available in 3.96 GPM (15 LPM)
Temperature Control	Dual-handles Dual-control Hot and Cold Adjustment
Hole Size	Φ21-23 mm, Hole-to-hole Dimension 8"(203.2 mm)

EXPERTISE IN STAINLESS STEEL

# BESTWARE

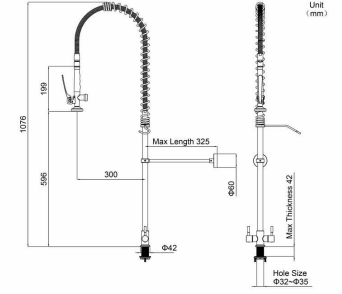
ONE-STOP SOLUTION PROVIDER OF STAINLESS COMMERCIAL FAUCETS

## ECONOMY STYLE



### ECH100

Standard Style Deck Mount Pre Rinse Faucet

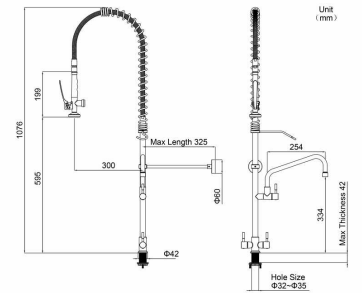


Attributes	Details
Add-on Swing Nozzle	/
Aerator Water Flow	/
Temperature Control	Dual-handles Dual-control Hot and Cold Adjustment
Hole Size	Φ32-35 mm



### ECH110

Standard Style Deck Mount Pre Rinse Faucet



Attributes	Details
Add-on Swing Nozzle	10"(254 mm)
Aerator Water Flow	Available in 3.96 GPM (15 LPM)
Temperature Control	Dual-handles Dual-control Hot and Cold Adjustment
Hole Size	Φ32-35 mm

## ECONOMY STYLE

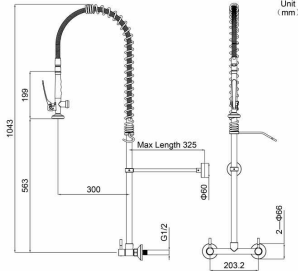
EXPERTISE IN STAINLESS STEEL

# BESTWARE

ONE-STOP SOLUTION PROVIDER OF STAINLESS COMMERCIAL FAUCETS



80%  
SUS304  
WETTED PARTS



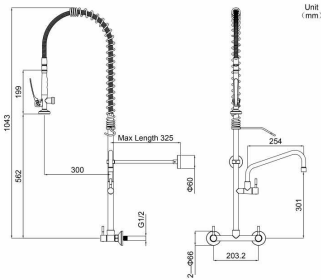
### ECW100

Standard Style Wall Mount Pre Rinse Faucet

Attributes	Details
Add-on Swing Nozzle	/
Aerator Water Flow	/
Temperature Control	Dual-handles Dual-control Hot and Cold Adjustment
Hole Size	G1/2, Hole-to-hole Dimension 8"(203.2 mm)



80%  
SUS304  
WETTED PARTS



### ECW110

Standard Style Wall Mount Pre Rinse Faucet

Attributes	Details
Add-on Swing Nozzle	10"(254 mm)
Aerator Water Flow	Available in 3.96 GPM (15 LPM)
Temperature Control	Dual-handles Dual-control Hot and Cold Adjustment
Hole Size	G1/2, Hole-to-hole Dimension 8"(203.2 mm)

EXPERTISE IN STAINLESS STEEL

# BESTWARE

ONE-STOP SOLUTION PROVIDER OF STAINLESS COMMERCIAL FAUCETS

## ECONOMY STYLE

